

Planetary gearboxes for mobile applications

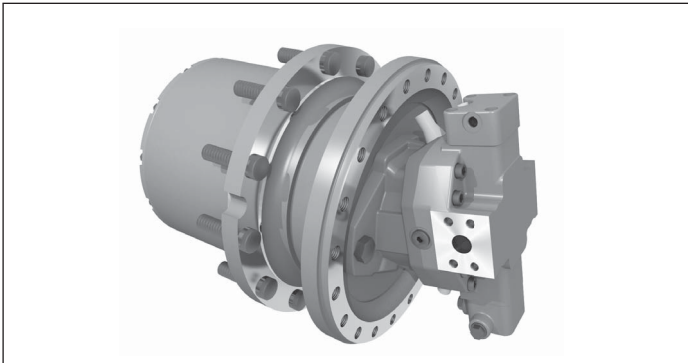
HYDROTRAC GFT 34 T2 4000

Series 20

RE 79062

Edition: 06.2018

Replaces:



- ▶ Output torques up to 34000 Nm

Features

- ▶ Compact, space-saving two-stage planetary gearbox
- ▶ Robust design
- ▶ Assembly of variable plug-in motors different series possible
- ▶ For open and closed circuits
- ▶ Easy assembly
- ▶ Wheel studs

Content

Description	2
Technical data	2
Application conditions	2
Dimensions	3
Planetary gearboxes for mobile units	4

Additional information at:
www.boschrexroth.com/gears



Description

The hydrostatic compact drive series 20 consists of a two-stage planetary gearbox, which - in combination with a hydraulic axial piston motor - builds a space-saving drive unit. The complete unit is used as a drive component for wheel-driven heavy duty transporter and modular transporter.

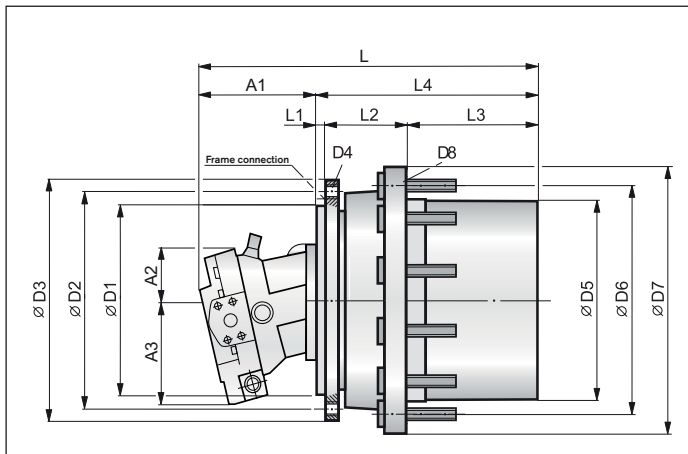
Application conditions

The planetary gearboxes are designed for use in environmental temperatures between -25°C and +40°C. Environmental factors such as salt water, salt air, sand, dust, pressure, severe shocks, extreme shock loads and environmental temperatures, aggressive media, etc. affect the function. Such influences must be pre-announced in order for a secure gearbox design.

Technical data

Size GFT	Version	Nominal output torque Nm	Ratio <i>i</i>	Appr. weight without motor kg	Hydraulic motor
34 T2	4000	34000	50.5	170	A6VE 107

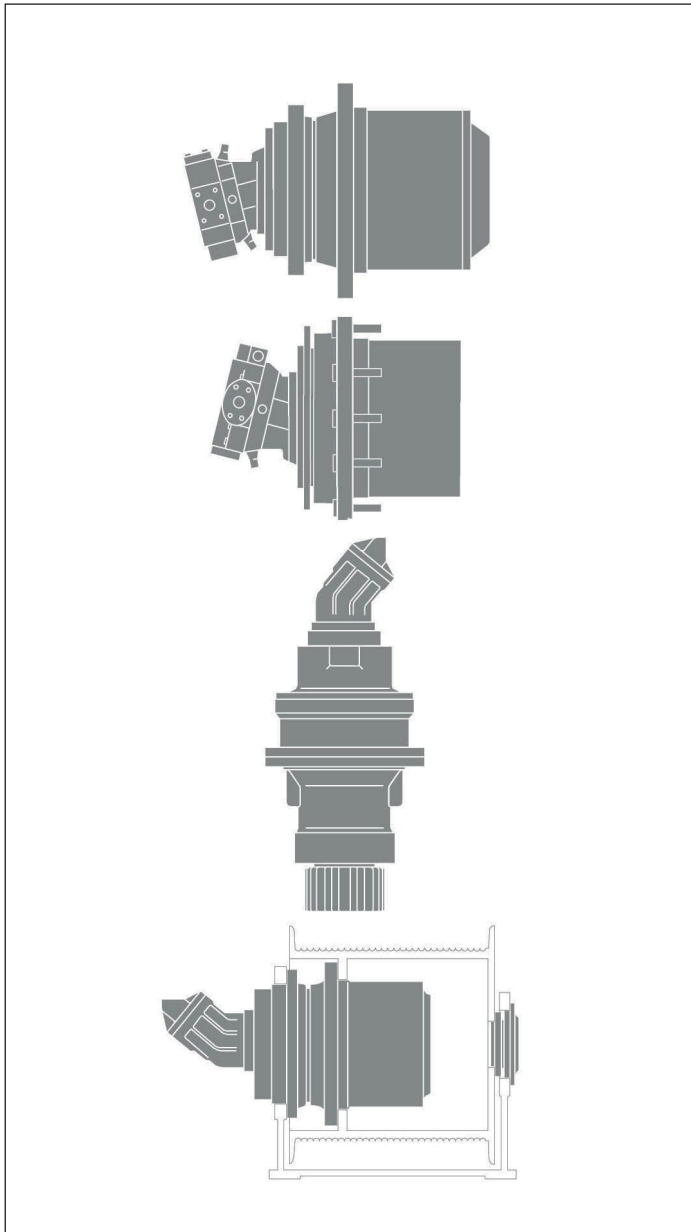
Dimensions



Size	Version	D1	D2	D3	D4	D5	D6	D7	D8	L	L1	L2	L3	L4	A1	A2	A3
GFT																	
34 T2	4000	380	410	420	20 x ø18	325	381	420	12 x M22 x 1,5 ¹⁾	12	151	226	389	¹⁾	¹⁾	¹⁾	

1) Depending on the control device of the hydraulic motor

Planetary gearboxes for mobile units



Hydrostatic travel drives

- HYDROTRAC GFT
For fixed or variable plug-in motors
Output torques between 9.5 and 580 kNm
Data sheet RE 77110
- HYDROTRAC GFT 8000
Series 30
Output torques between 20 and 30 kNm
Data sheet RE 77128
- HYDROTRAC GFT 8000
Series 40
Output torques between 10 and 130 kNm
Data sheet RE 77117
- HYDROTRAC GFT 45 T2/T3
Output torques max. 45 kNm
Data sheet RE 77115

Hydrostatic swing drives

- MOBILEX GFB
For fixed or variable plug-in motors
Output torques between 4 and 68.3 kNm
Data sheet RE 77201
- MOBILEX GFB 8000
Series 40
Output torques between 8.5 and 28.5 kNm
Data sheet RE 79058

Hydrostatic winch gears

- MOBILEX GFT-W
For fixed or variable plug-in motors
Output torques between 14 and 325 kNm
Data sheet RE 77502
- MOBILEX GFW 5000
Series 40
Output torques between 7.5 and 105 kNm
Data sheet RE 77506

Bosch Rexroth AG

Gearbox Technology
Nortkirchenstr. 53
44263 Dortmund, Germany
Phone +49 231 22819-5
info.gears@boschrexroth.de
www.boschrexroth.com/gears

© This document, as well as the data, specifications and other informations set forth in it, are exclusive property of Bosch Rexroth AG. Without their consent it may not be reproduced or given to third parties. The data specified above only serve to describe the product. No statement concerning a certain condition or suitability for a certain application can be derived from our information. The given information does not release the user from the obligation of own judgement and verification. It must be remembered that our products are subject to a natural process of wear and aging.