

# Planetary gearboxes for mobile applications

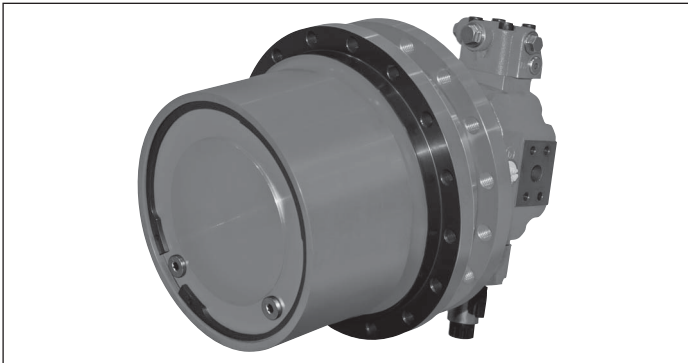
## HYDROTRAC GFT 8130 / 8140

### Series 30

**RE 77128**

Edition: 10.2018

Replaces: 02.2016



- ▶ Sizes 8130 and 8140
- ▶ Output torques between 20000 and 30000 Nm

**Features**

- ▶ Compact, space-saving two- or three-stage planetary gearbox
- ▶ Robust design
- ▶ Integrated static multiple-disk parking brake
- ▶ Assembly of variable plug-in and fixed displacement plug-in motors different series possible
- ▶ For open and closed circuits
- ▶ Easy assembly
- ▶ Disconnect mechanism (optional)
- ▶ Wheel studs (optional)

**Content**

Description	2
Technical data	2
Application conditions	2
Dimensions	3
Overview data sheets Gearbox Technology	4

Additional information at:  
[www.boschrexroth.com/gears](http://www.boschrexroth.com/gears)



## Description

The hydrostatic compact drive series 40 consists of a two- or three-stage planetary gearbox, which - in combination with a hydraulic axial piston motor - builds a space-saving drive unit. The complete unit is used as a drive component for wheel- or chain driven vehicles and other mobile applications.

## Application conditions

The planetary gearboxes are designed for use in environmental temperatures between -25°C and +40°C. Environmental factors such as salt water, salt air, sand, dust, pressure, severe shocks, extreme shock loads and environmental temperatures, aggressive media, etc. affect the function. Such influences must be pre-announced in order for a secure gearbox design.

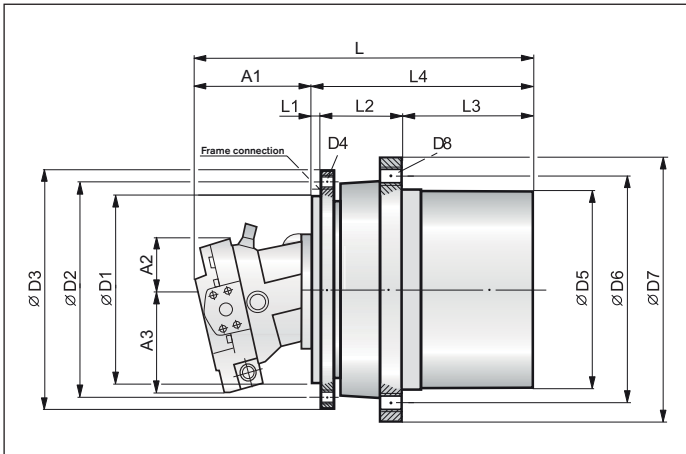
## Technical data

Size GFT	Nominal output torque Nm	Ratio <i>i</i>	Brake torque static Nm	Appr. weight without motor kg	Compatible hydraulic motors
<b>8130 E</b>	20000	31.7 • 38.9 • 51.4	<sup>1)</sup>	83	A2FE 45 • 56 • 63 / A6VE 55 • 60
<b>8140 F</b>	30000	102.8 • 137.1	<sup>1)</sup>	95	A2FE 45 • 56 • 63 / A6VE 55 • 60

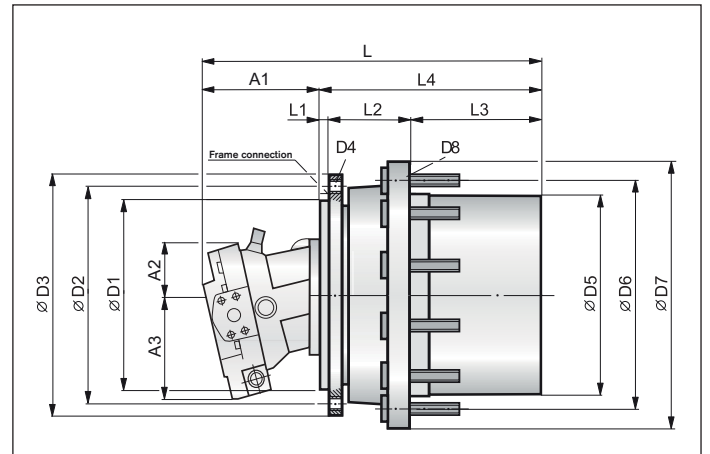
---

<sup>1)</sup> Device-specific

## Dimensions



Version T (with thread hole)



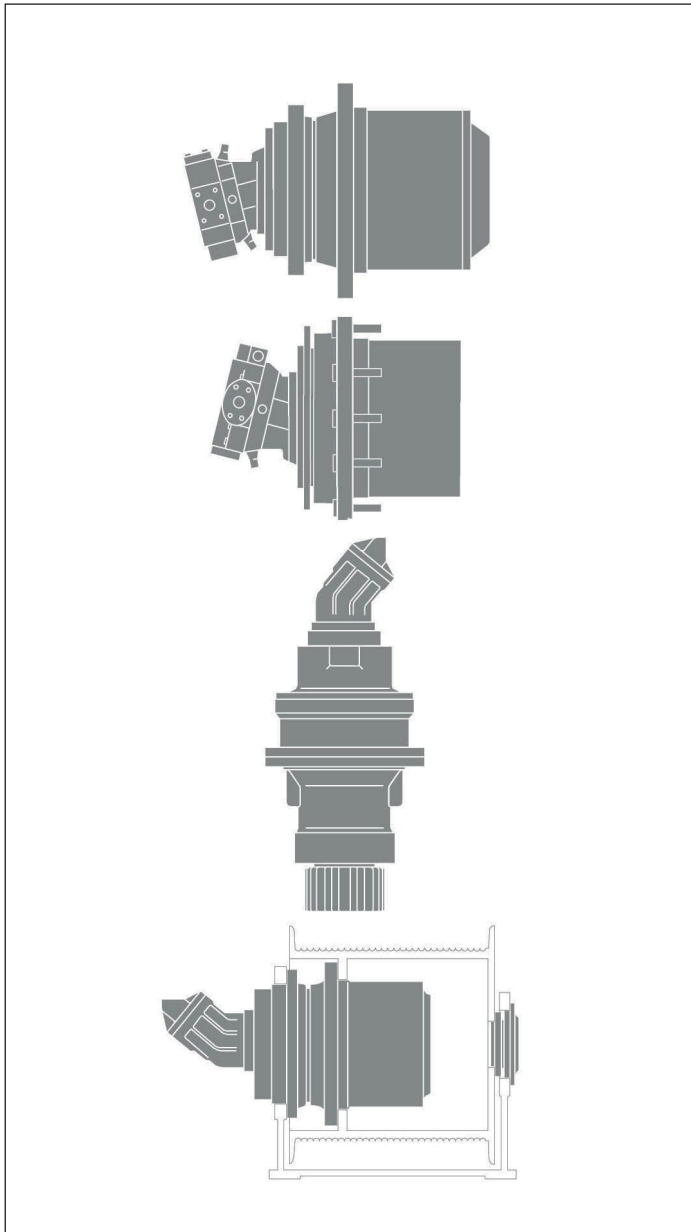
Version W (with wheel stud)

Size GFT	Version	D1	D2	D3	D4	D5	D6	D7	D8	L	L1	L2	L3	L4	A1	A2	A3
<b>8130 E</b>	T	250	290	320	16 x M20	280	305	330	16 x M16	<sup>2)</sup> 14	14	82	166	262	<sup>3)</sup>	<sup>3)</sup>	<sup>3)</sup>
<b>8130 E</b>	W	250	305	330	23 x M16	260	300	335	10 x M22 x 1.5	<sup>2)</sup> 14	14	82	166	262	<sup>3)</sup>	<sup>3)</sup>	<sup>3)</sup>
<b>8140 F</b>	T	240	285	320	20 x M20	280	305	330	18 x M16	<sup>2)</sup> 14	14	82	195.5	291.5	<sup>3)</sup>	<sup>3)</sup>	<sup>3)</sup>
<b>8140 F</b>	T	240	285	320	20 x M20	280	305	330	30 x M16	<sup>2)</sup> 14	14	82	195.5	291.5	<sup>3)</sup>	<sup>3)</sup>	<sup>3)</sup>

<sup>2)</sup> Depending on motor size

<sup>3)</sup> Depending on motor size and control device

## Overview data sheets Gearbox Technology



### Hydrostatic travel drives

- HYDROTRAC GFT, series 20, RE 77110  
Output torques from 160 to 450 kNm
- HYDROTRAC GFT 8000, series 30, RE 77128  
Output torques from 20 to 30 kNm
- HYDROTRAC GFT 8000, series 40, RE 77117  
Output torques from 10 to 130 kNm
- HYDROTRAC GFT 45 T2/T3, RE 77115  
Output torques max. 45 kNm
- HYDROTRAC GFT 34, series 20, RE 79062  
Output torques to 34 kNm

### Hydrostatic swing drives

- MOBILEX GFB, RE 77201  
Output torques from 4 to 68.3 kNm
- MOBILEX GFB 8000, series 40, RE 79058  
Output torques from 8.5 to 30 kNm

### Hydrostatic winch gears

- MOBILEX GFT-W, RE 77502  
Output torques from 140 to 325 kNm
- MOBILEX GFW 5000, series 40, RE 77506  
Output torques from 7.5 to 105 kNm

#### **Bosch Rexroth AG**

Gearbox Technology  
Nortkirchenstr. 53  
44263 Dortmund, Germany  
Phone +49 231 22819-5  
info.gears@boschrexroth.de  
www.boschrexroth.com/gears

© This document, as well as the data, specifications and other informations set forth in it, are exclusive property of Bosch Rexroth AG. Without their consent it may not be reproduced or given to third parties. The data specified above only serve to describe the product. No statement concerning a certain condition or suitability for a certain application can be derived from our information. The given information does not release the user from the obligation of own judgement and verification. It must be remembered that our products are subject to a natural process of wear and aging.