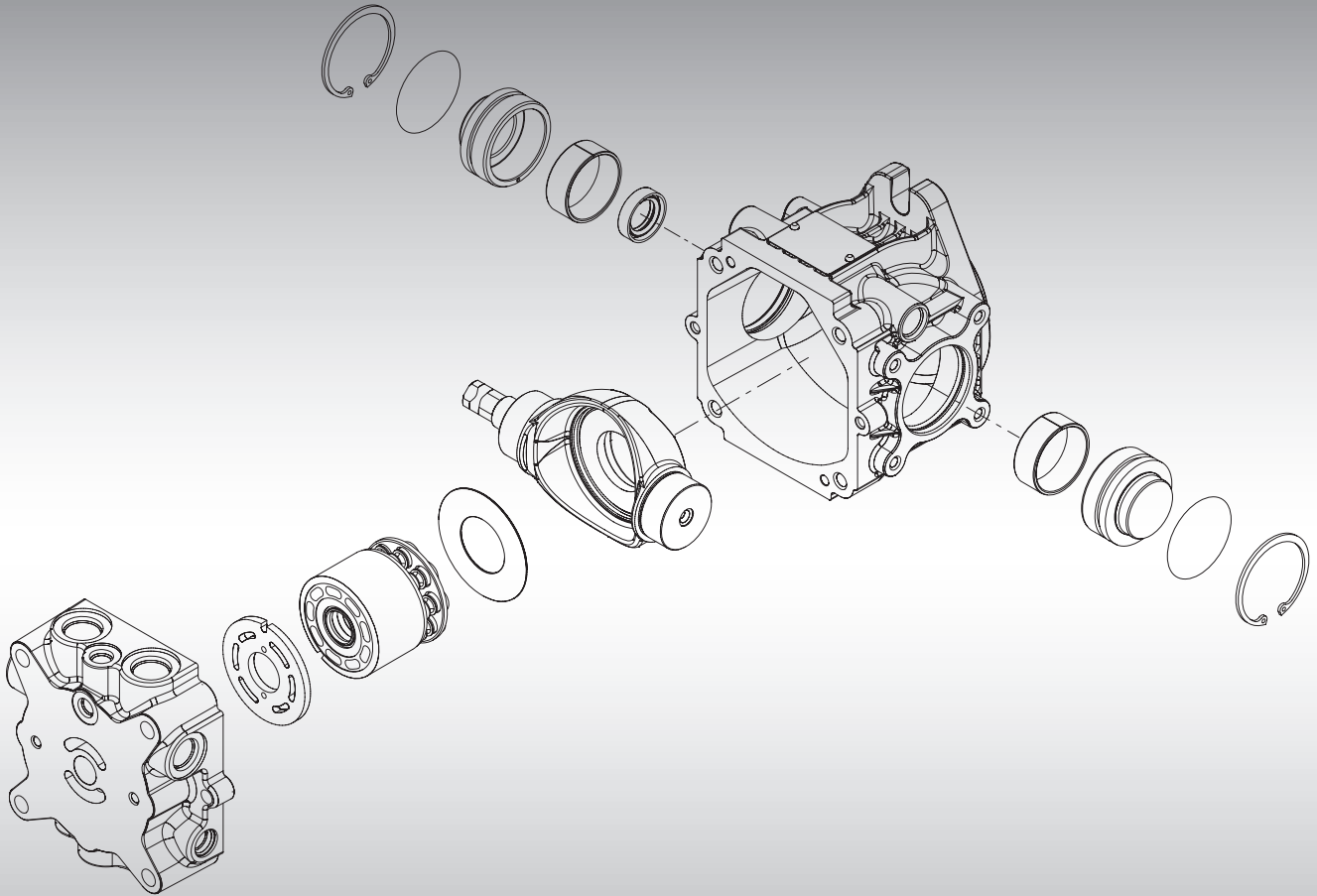




Parts Manual

Closed Circuit Axial Piston Pump DDC20







Contents

General Information	Service parts identification.....	4
	Nameplate	4
	Date code	5
	Service bulletins.....	5
	Procedure to identify a part.....	5
	Order code	7
Variable pump & fixed motor	Displacement.....	8-9
	Valve plate.....	8-9
	Control arm.....	8-9
	Pump shaft.....	10-13
	Loop flushing.....	12-13
	End cap.....	14-31
	Charge pump.....	32-35
	Charge pressure relief.....	34-35
	System pressure protection, port A.....	36-39
	System pressure protection, port B	38-41
	Input flange.....	40-43
Overhaul seal kit	43	



General information

Service parts identification

The following information and procedure is used to identify the module group, item number, manufacture data, part number and part name of the parts included in the DDC20 variable displacement pumps.

The parts listed include all parts which may be used when performing either “Minor Repairs”, “Major Repairs” or “Conversions” on the DDC20 pump.

Nameplate

Each unit will have a nameplate affixed to the housing. The nameplate will include the following information.

Model Code

The Sauer-Danfoss model code completely defines the specific unit and must be used when ordering parts to service this product.

Model No./Ident No.

The Sauer-Danfoss model/ident number is used by the factory in manufacturing. On repeat orders, a complete unit can be ordered by the model/ident number.

Serial Number

The Sauer-Danfoss serial number is used to identify the manufacture location, manufacture date and the unit sequence in the build. The serial number is also used to identify the units warranty time period.

The letter code indicates the location of original manufacture (assembly). “J” indicates the unit was originally assembled in Osaka, Japan.

The first number (2 digits) indicates the year of manufacture. (“11” would indicate the unit was manufactured in 2011)

The second number (2 digits) indicates the calendar week of manufacture.

The third number (5 digits) is a sequential number used to identify a specific unit.





General information

Date code

The date code is defined as the year and week of manufacture. The same item number may list more than one part number. This indicates that there is more than one configuration for that item number. You will see that there are different date codes for the different part numbers. Find the date code of your unit from the nameplate to determine which service part number you need to order.

EXAMPLE: The service part desired is Item G30

Order Code	Item	Date Begin	Date End	Part Number	Part Name	Qty. per Model/Kit
80	G30	89-17		8000243	End cap gasket	1
	G30	87-02	89-16	8000151	End cap gasket (SB-1995-006)	1

All units using this order code with a date code of 87-02 and up to and including 89-16, must use part number "8000151". All units with a date code of 89-17 and newer must use part number "8000243".

Service bulletins

A Service Bulletin Number (SB-____-____) may follow the "Part Name" of the part you desire. You must read that Service Bulletin prior to ordering that part. The information contained in these Service Bulletins, as of the print date of this bulletin, are included at the end of this manual. Service Bulletins contain more detailed information such as interchangeability, what additional parts are involved, etc. It is suggested that you add additional Service Bulletins to this manual as you receive them.

Procedure to identify a part

General

The modular design of DDC20 units results in a simplified service parts list and part number identification procedure.

The same item numbers are used for same part names on all units within a product type. (Example: The lip seal – Item F120 has the same item number on all units.)

Example of a Part Identification

The nameplate on a DDC20 unit has an Order Code of DDC 20 . Use the following procedures to determine the part number of the drive shafts used on this unit.

Referring to the Pump Shaft module in the Order Code (see page 7), the pump shaft option for this unit is identified by the code "AB". (DDC 20 A L LB RSA NN A N 3 AB ACD0 C 07 25A 25A NNN NNN)

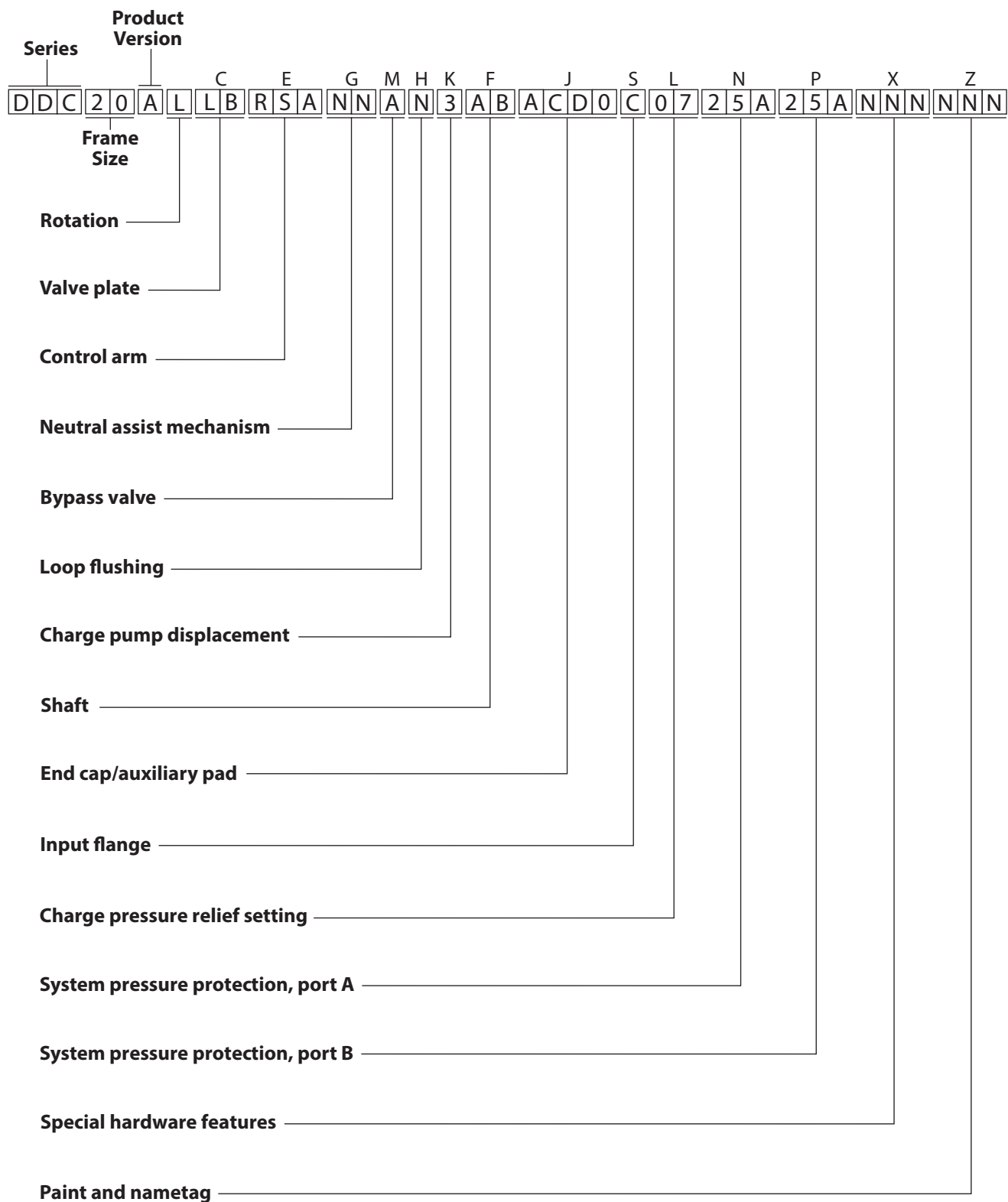
Referring to the Service Parts List, find the Pump Shaft group. Next find the order code that relates to this unit, which is "AB". The pump shaft is found to be item F100 and part number 11075897.



Notes

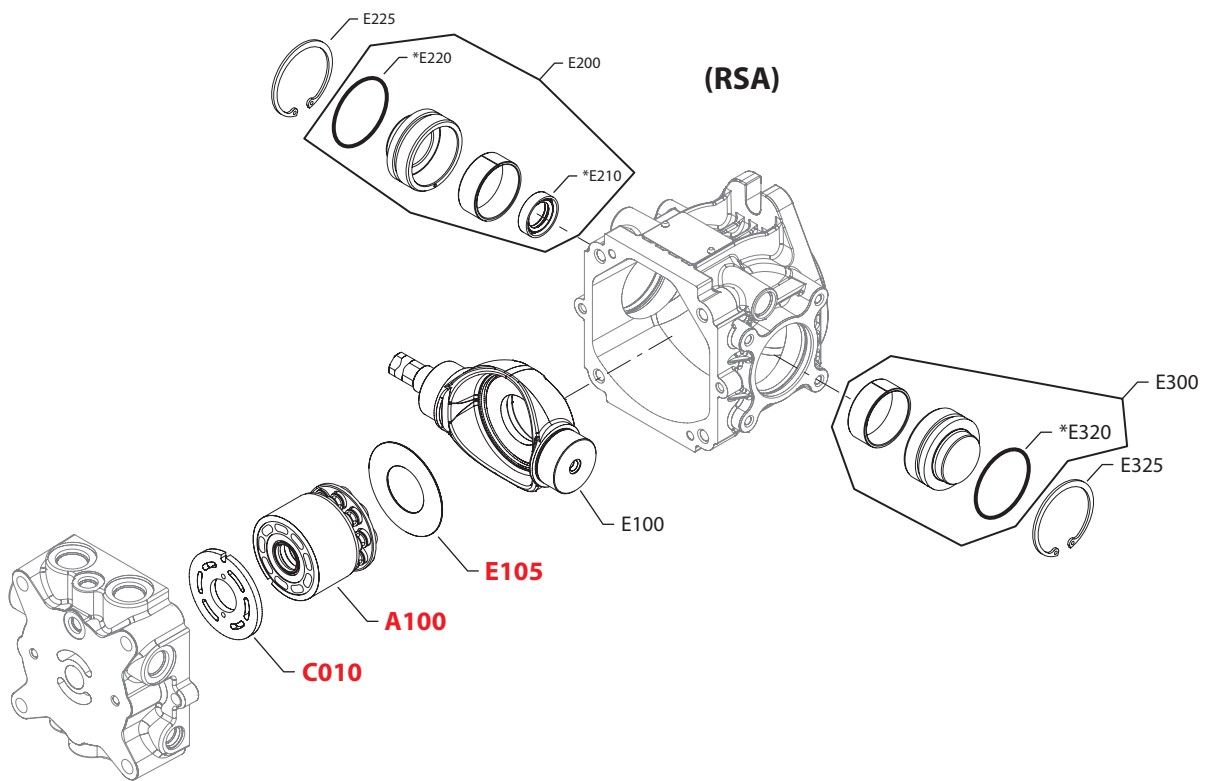
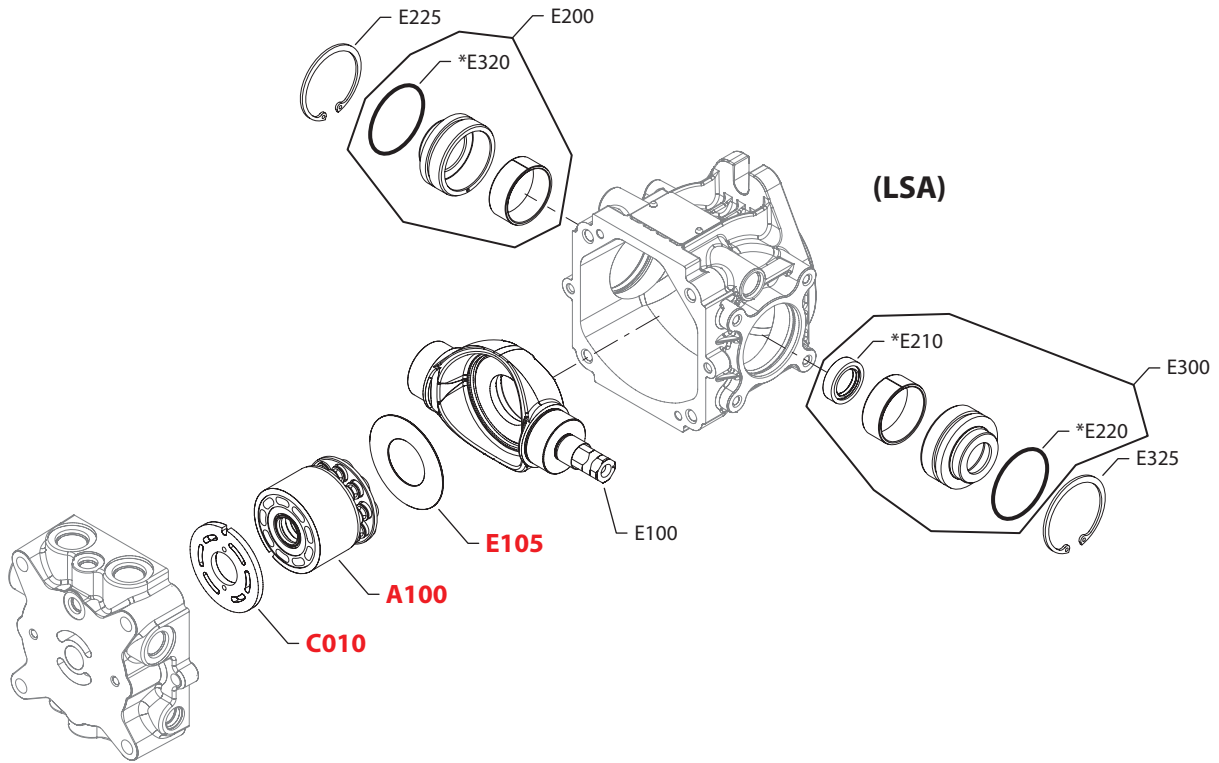


Order code





Variable displacement pump



E101 822E

* = included in overhaul seal kit Q210

Enlarged **bold** type item numbers are recommended part to stock for servicing.


Variable displacement pump
Displacement

Order Code	Item	Date Begin	Date End	Part Number	Part Name	Qty. per Model/Kit
20	A100	11-34		11051773	Cylinder block kit	1

Valve plate

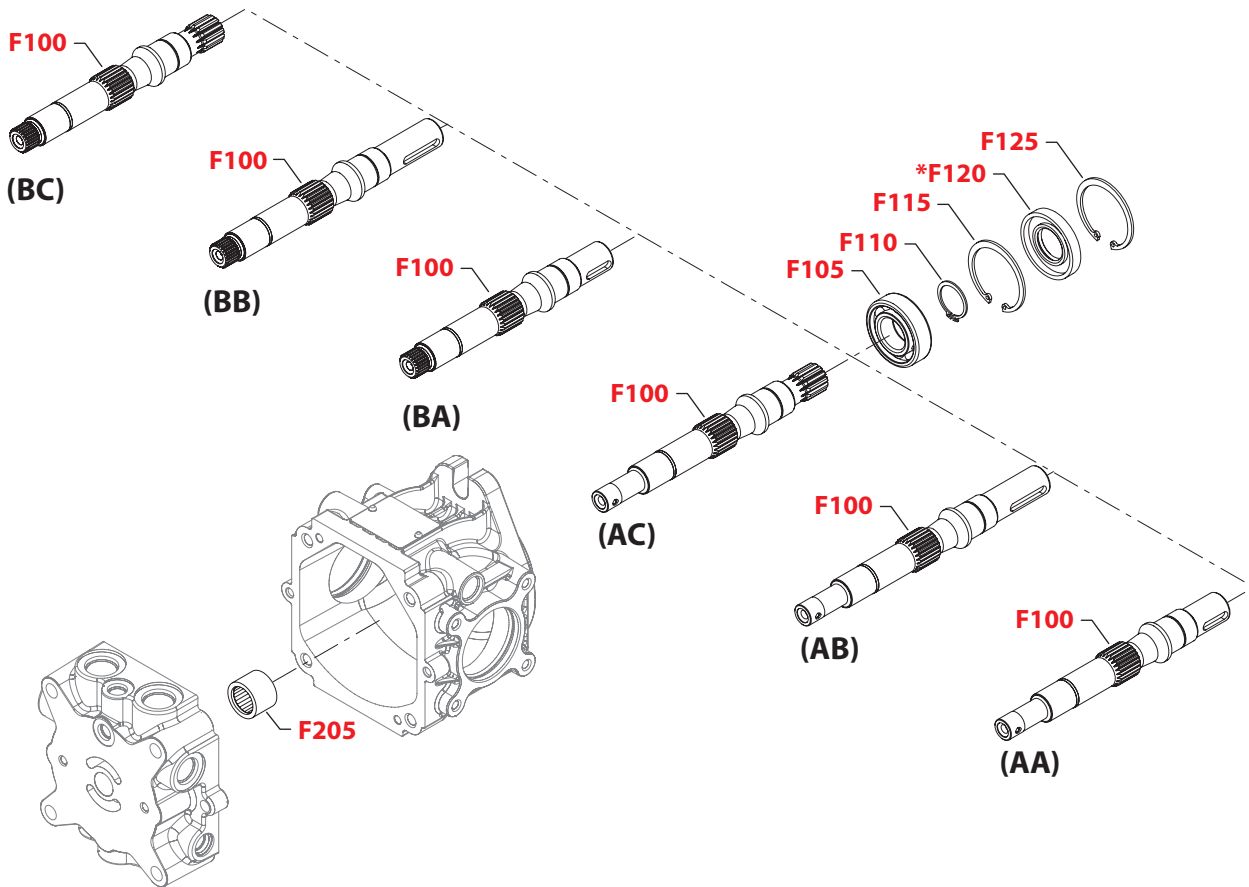
LA	C010	11-34		11065497	Valve plate, CCW, low control moment	1
LB	C010	11-34		11087147	Valve plate, CCW, high neutral seeking	1
RA	C010	11-34		11050370	Valve plate, CW, low control moment	1
RB	C010	11-34		11091396	Valve plate, CW, high neutral seeking	1

Control arm

LSA	E100	11-34		11085615	Swashplate, axial offset	1
	E105	11-34		11050101	Thrust plate	1
	E200	11-34		11083526	Journal bearing carrier assembly	1
	E210	11-34		11050327	Lip seal	1
	E220	11-34		9004104-1360	O-ring	1
	E225	11-34		FBE056	Retaining ring	1
	E300	11-34		11083525	Journal bearing carrier assembly	1
	E320	11-34		9004104-1360	O-ring	1
	E325	11-34		FBE056	Retaining ring	1
RSA	E100	11-34		11085615	Swashplate, axial offset	1
	E105	11-34		11050101	Thrust plate	1
	E200	11-34		11083525	Journal bearing carrier assembly	1
	E210	11-34		11050327	Lip seal	1
	E220	11-34		9004104-1360	O-ring	1
	E225	11-34		FBE056	Retaining ring	1
	E300	11-34		11083526	Journal bearing carrier assembly	1
	E320	11-34		9004104-1360	O-ring	1
	E325	11-34		FBE056	Retaining ring	1



Variable displacement pump



* = included in overhaul seal kit Q210

E101 823E

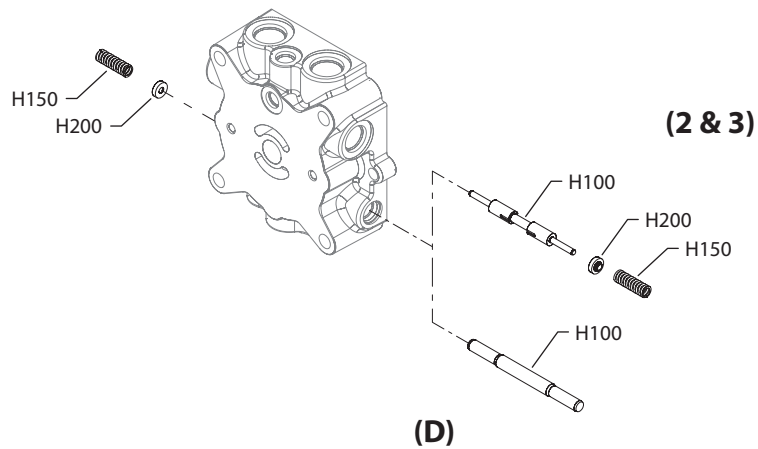
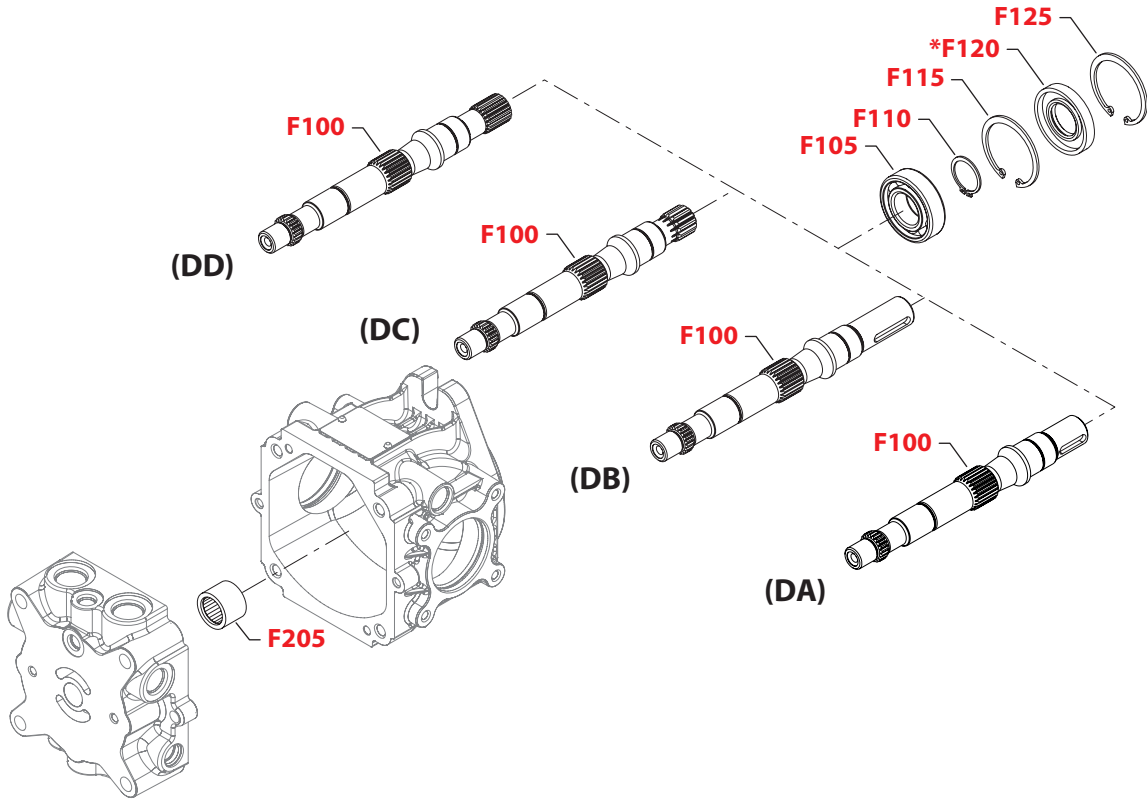
Enlarged **bold** type item numbers are recommended part to stock for servicing.


Variable displacement pump
Shaft

Order Code	Item	Date Begin	Date End	Part Number	Part Name	Qty. per Model/Kit
AA	F100	11-34		11094869	Shaft, straight key (33mm)	1
	F105	11-34		SP0984	Ball bearing	1
	F110	11-34		FBD025	Retaining ring	1
	F115	11-34		FBE052	Retaining ring	1
	F120	11-34		11082827	Lip seal	1
	F125	11-34		FBE052	Retaining ring	1
	F205	11-34		11050329	Needle bearing	1
	AB	F100	11-34		11075897	Shaft, straight key (53mm)
F105		11-34		SP0984	Ball bearing	1
F110		11-34		FBD025	Retaining ring	1
F115		11-34		FBE052	Retaining ring	1
F120		11-34		11082827	Lip seal	1
F125		11-34		FBE052	Retaining ring	1
F205		11-34		11050329	Needle bearing	1
AC		F100	11-34		11094870	Shaft, 13 tooth spline
	F105	11-34		SP0984	Ball bearing	1
	F110	11-34		FBD025	Retaining ring	1
	F115	11-34		FBE052	Retaining ring	1
	F120	11-34		11082827	Lip seal	1
	F125	11-34		FBE052	Retaining ring	1
	F205	11-34		11050329	Needle bearing	1
	BA	F100	11-34		11095057	Shaft, straight key (33mm), auxiliary drive
F105		11-34		SP0984	Ball bearing	1
F110		11-34		FBD025	Retaining ring	1
F115		11-34		FBE052	Retaining ring	1
F120		11-34		11082827	Lip seal	1
F125		11-34		FBE052	Retaining ring	1
F205		11-34		11050329	Needle bearing	1
BB		F100	14-45		11150105	Shaft, straight key (53mm), auxiliary drive
	F105	14-45		SP0984	Ball bearing	1
	F110	14-45		FBD025	Retaining ring	1
	F115	14-45		FBE052	Retaining ring	1
	F120	14-45		11082827	Lip seal	1
	F125	14-45		FBE052	Retaining ring	1
	F205	14-45		11050329	Needle bearing	1
	BC	F100	11-34		11096321	Shaft, 13 tooth spline, auxiliary drive
F105		11-34		SP0984	Ball bearing	1
F110		11-34		FBD025	Retaining ring	1
F115		11-34		FBE052	Retaining ring	1
F120		11-34		11082827	Lip seal	1
F125		11-34		FBE052	Retaining ring	1
F205		11-34		11050329	Needle bearing	1



Variable displacement pump



* = included in overhaul seal kit Q210

E103 250E
Enlarged **bold** type item numbers are recommended part to stock for servicing.

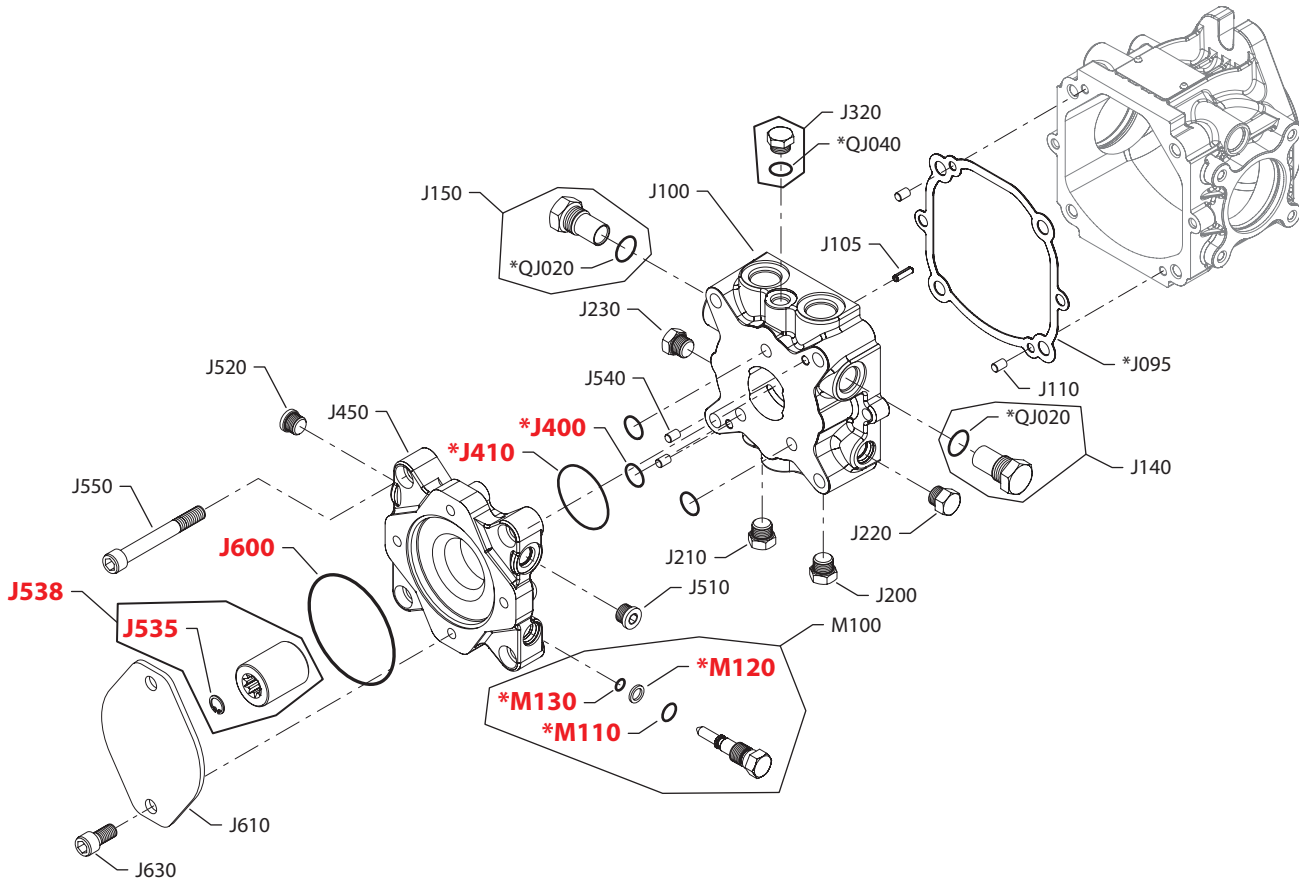

Variable displacement pump
Shaft

Order Code	Item	Date Begin	Date End	Part Number	Part Name	Qty. per Model/Kit
DA	F100	14-45		11154184	Shaft, straight key (33mm), auxiliary drive	1
	F105	14-45		SP0984	Ball bearing	1
	F110	14-45		FBD025	Retaining ring	1
	F115	14-45		FBE052	Retaining ring	1
	F120	14-45		11082827	Lip seal	1
	F125	14-45		FBE052	Retaining ring	1
	F205	14-45		11050329	Needle bearing	1
	DB	F100	14-45		11154183	Shaft, straight key (53mm), auxiliary drive
F105		14-45		SP0984	Ball bearing	1
F110		14-45		FBD025	Retaining ring	1
F115		14-45		FBE052	Retaining ring	1
F120		14-45		11082827	Lip seal	1
F125		14-45		FBE052	Retaining ring	1
F205		14-45		11050329	Needle bearing	1
DC		F100	14-45		11152845	Shaft, 13 tooth, auxiliary drive
	F105	14-45		SP0984	Ball bearing	1
	F110	14-45		FBD025	Retaining ring	1
	F115	14-45		FBE052	Retaining ring	1
	F120	14-45		11082827	Lip seal	1
	F125	14-45		FBE052	Retaining ring	1
	F205	14-45		11050329	Needle bearing	1
	DD	F100	14-45		11152846	Shaft, 20 tooth, auxiliary drive
F105		14-45		SP0984	Ball bearing	1
F110		14-45		FBD025	Retaining ring	1
F115		14-45		FBE052	Retaining ring	1
F120		14-45		11082827	Lip seal	1
F125		14-45		FBE052	Retaining ring	1
F205		14-45		11050329	Needle bearing	1
Loop flushing						
2	H100	11-34		11098179	Spool	1
	H150	11-34		11097840	Spring	2
	H200	11-34		1745296	Spring guide	2
3	H100	15-36		11120528	Spool	1
	H150	15-36		11097840	Spring	2
	H200	15-36		1745296	Spring guide	2
D	H100	11-34		11098213	Spool, defeated	1
N				None		



Variable displacement pump

(AAC9)



* = included in overhaul seal kit Q210

E101 825E
Enlarged **bold** type item numbers are recommended part to stock for servicing.

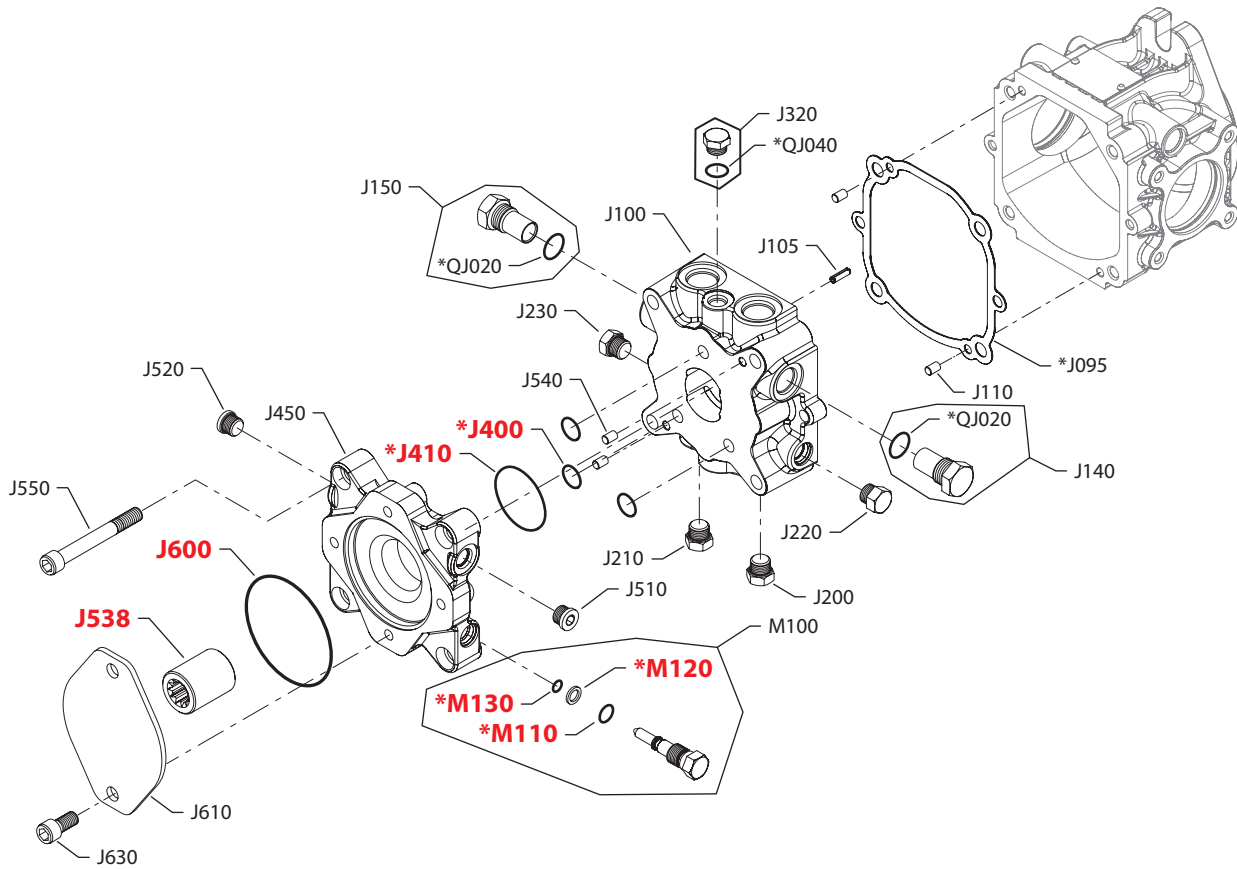

Variable displacement pump
End cap

Order Code	Item	Date Begin	Date End	Part Number	Part Name	Qty. per Model/Kit
AAC9	J095	11-34		11082808	Gasket	1
	J100	11-34		11100320	End cap	1
	J105	11-34		9004700-1910	Slotted pin	1
	J110	11-34		9004800-2506	Pin	2
	J140	11-34		11080925	Plug assembly	1
	J150	11-34		11080925	Plug assembly	1
	J200	11-34		9005100-5600	Plug assembly	1
	J210	11-34		9005100-5600	Plug assembly	1
	J220	11-34		9005100-5600	Plug assembly	1
	J230	11-34		9005100-5600	Plug assembly	1
	J320	11-34		1030155-SA	Plug assembly	1
	J400	11-34		9004105-0160	O-ring	3
	J410	11-34		9004104-0320	O-ring	1
	J450	11-34		11098094	Adapter, A pad	1
	J510	11-34		9005110-5600	Plug assembly	1
	J520	11-34		9005110-5600	Plug assembly	1
	J535	11-34		FBE013	Retaining ring	1
	J538	11-34		11102274	Coupling assembly, 9 tooth	1
	J540	11-34		9004800-2506	Pin	2
	J550	11-34		AAM1008001	Screw	4
	J600	11-34		9004100-1520	O-ring	1
	J610	11-34		1040577	Flange cover	1
	J630	11-34		AAM1002001	Screw	2
	M100	11-34		11083527	Bypass valve assembly	1
	M110	11-34		11106929	O-ring	1
	M120	11-34		11076700	Back up ring	1
	M130	11-34		KP4F007	O-ring	1
	QJ020	11-34		9004201-5000	O-ring	2
	QJ040	11-34		9004201-3100	O-ring	1



Variable displacement pump

(AAN1)



* = included in overhaul seal kit Q210

E101 824E
Enlarged **bold** type item numbers are recommended part to stock for servicing.

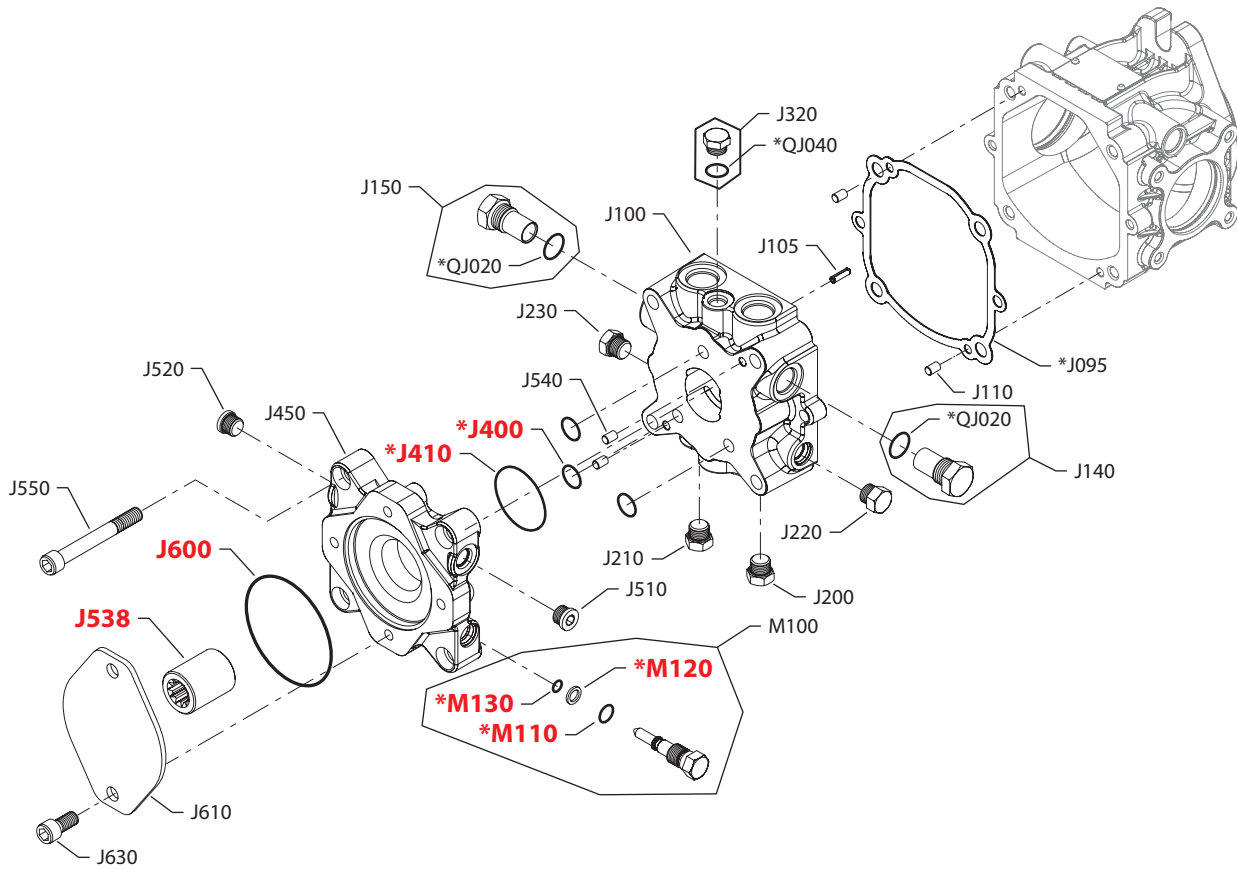

Variable displacement pump
End cap

Order Code	Item	Date Begin	Date End	Part Number	Part Name	Qty. per Model/Kit
AAN1	J095	11-34		11082808	Gasket	1
	J100	11-34		11098093	End cap	1
	J105	11-34		9004700-1910	Slotted pin	1
	J110	11-34		9004800-2506	Pin	2
	J140	11-34		11080925	Plug assembly	1
	J150	11-34		11080925	Plug assembly	1
	J200	11-34		9005100-5600	Plug assembly	1
	J210	11-34		9005100-5600	Plug assembly	1
	J220	11-34		9005100-5600	Plug assembly	1
	J230	11-34		9005100-5600	Plug assembly	1
	J320	11-34		1030155-SA	Plug assembly	1
	J400	11-34		9004105-0160	O-ring	3
	J410	11-34		9004104-0320	O-ring	1
	J450	11-34		11098094	Adapter, A pad	1
	J510	11-34		9005110-5600	Plug assembly	1
	J520	11-34		9005110-5600	Plug assembly	1
	J538	11-34		11096305	Coupling, 11 tooth	1
	J540	11-34		9004800-2506	Pin	2
	J550	11-34		AAM1008001	Screw	4
	J600	11-34		9004100-1520	O-ring	1
	J610	11-34		1040577	Flange cover	1
	J630	11-34		AAM1002001	Screw	2
	M100	11-34		11083527	Bypass valve assembly	1
	M110	11-34		11106929	O-ring	1
	M120	11-34		11076700	Back up ring	1
	M130	11-34		KP4F007	O-ring	1
	QJ020	11-34		9004201-5000	O-ring	2
	QJ040	11-34		9004201-3100	O-ring	1



Variable displacement pump

(AAN3)



* = included in overhaul seal kit Q210

E101 824E
Enlarged **bold** type item numbers are recommended part to stock for servicing.

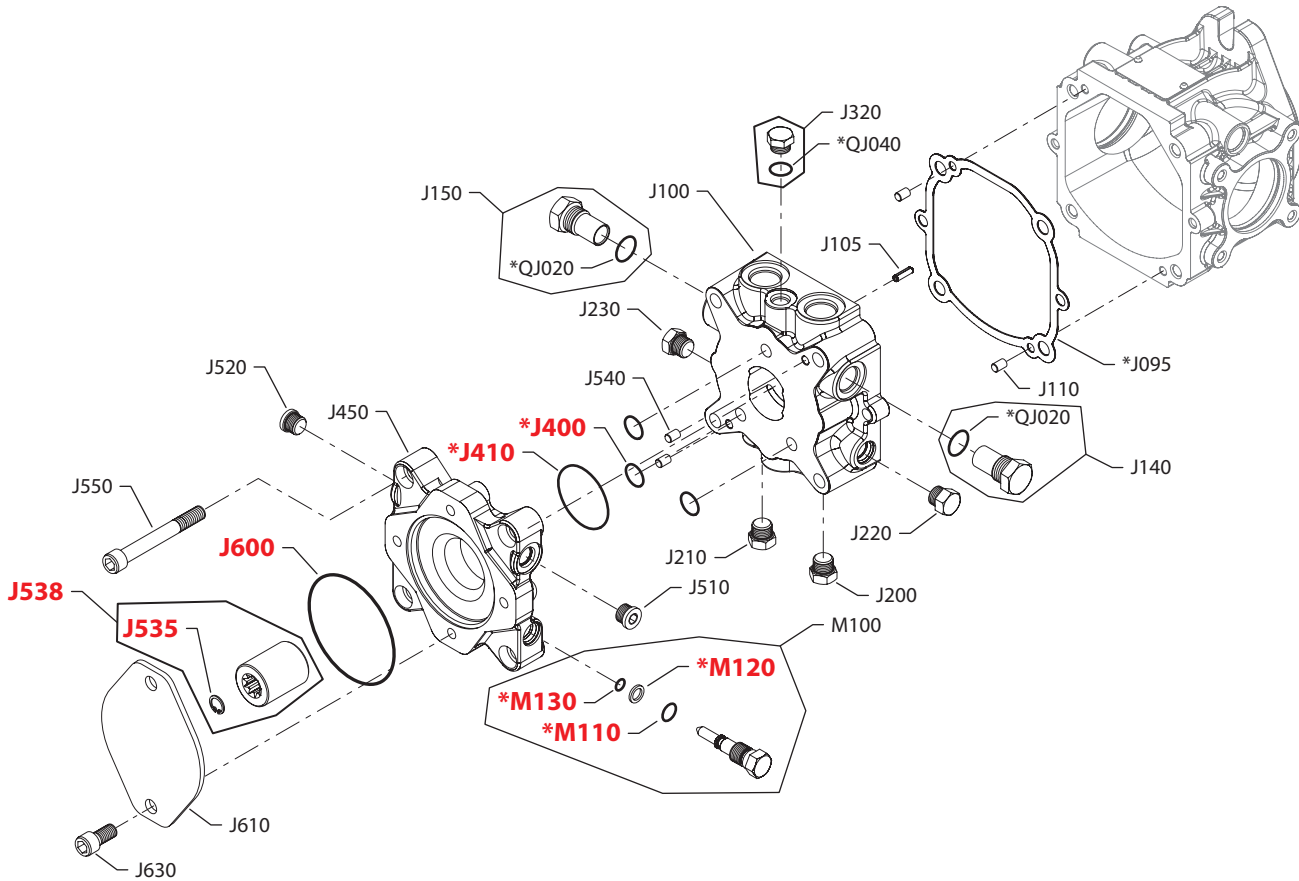

Variable displacement pump
End cap

Order Code	Item	Date Begin	Date End	Part Number	Part Name	Qty. per Model/Kit
AAN3	J095	15-36		11082808	Gasket	1
	J100	15-36		11098093	End cap	1
	J105	15-36		9004700-1910	Slotted pin	1
	J110	15-36		9004800-2506	Pin	2
	J140	15-36		11080925	Plug assembly	1
	J150	15-36		11080925	Plug assembly	1
	J200	15-36		9005100-5600	Plug assembly	1
	J210	15-36		9005100-5600	Plug assembly	1
	J220	15-36		9005100-5600	Plug assembly	1
	J230	15-36		9005100-5600	Plug assembly	1
	J320	15-36		1030155-SA	Plug assembly	1
	J400	15-36		9004105-0160	O-ring	3
	J410	15-36		9004104-0320	O-ring	1
	J450	15-36		11098094	Adapter, A pad	1
	J510	15-36		9005110-5600	Plug assembly	1
	J520	15-36		9005110-5600	Plug assembly	1
	J538	15-36		11150108	Coupling, 13 tooth	1
	J540	15-36		9004800-2506	Pin	2
	J550	15-36		AAM1008001	Screw	4
	J600	15-36		9004100-1520	O-ring	1
	J610	15-36		1040577	Flange cover	1
	J630	15-36		AAM1002001	Screw	2
	M100	15-36		11083527	Bypass valve assembly	1
	M110	15-36		11106929	O-ring	1
	M120	15-36		11076700	Back up ring	1
	M130	15-36		KP4F007	O-ring	1
	QJ020	15-36		9004201-5000	O-ring	2
	QJ040	15-36		9004201-3100	O-ring	1



Variable displacement pump

(AAN9)



* = included in overhaul seal kit Q210

E101 825E
Enlarged **bold** type item numbers are recommended part to stock for servicing.

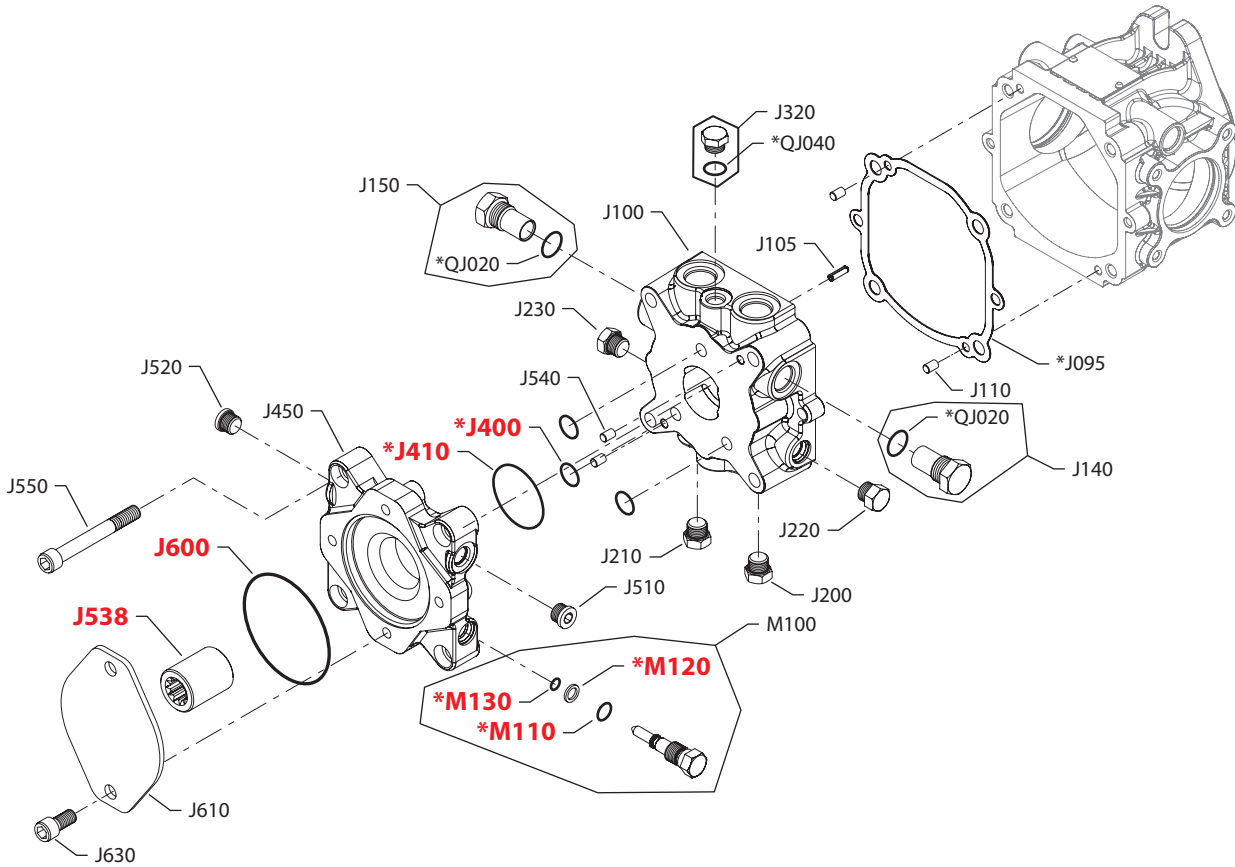

Variable displacement pump
End cap

Order Code	Item	Date Begin	Date End	Part Number	Part Name	Qty. per Model/Kit
AAN9	J095	11-34		11082808	Gasket	1
	J100	11-34		11098093	End cap	1
	J105	11-34		9004700-1910	Slotted pin	1
	J110	11-34		9004800-2506	Pin	2
	J140	11-34		11080925	Plug assembly	1
	J150	11-34		11080925	Plug assembly	1
	J200	11-34		9005100-5600	Plug assembly	1
	J210	11-34		9005100-5600	Plug assembly	1
	J220	11-34		9005100-5600	Plug assembly	1
	J230	11-34		9005100-5600	Plug assembly	1
	J320	11-34		1030155-SA	Plug assembly	1
	J400	11-34		9004105-0160	O-ring	3
	J410	11-34		9004104-0320	O-ring	1
	J450	11-34		11098094	Adapter, A pad	1
	J510	11-34		9005110-5600	Plug assembly	1
	J520	11-34		9005110-5600	Plug assembly	1
	J535	11-34		FBE013	Retaining ring	1
	J538	11-34		11102274	Coupling assembly, 9 tooth	1
	J540	11-34		9004800-2506	Pin	2
	J550	11-34		AAM1008001	Screw	4
	J600	11-34		9004100-1520	O-ring	1
	J610	11-34		1040577	Flange cover	1
	J630	11-34		AAM1002001	Screw	2
	M100	11-34		11083527	Bypass valve assembly	1
	M110	11-34		11106929	O-ring	1
	M120	11-34		11076700	Back up ring	1
	M130	11-34		KP4F007	O-ring	1
	QJ020	11-34		9004201-5000	O-ring	2
	QJ040	11-34		9004201-3100	O-ring	1



Variable displacement pump

(ABN1)



* = included in overhaul seal kit Q210

E101 824E
Enlarged **bold** type item numbers are recommended part to stock for servicing.

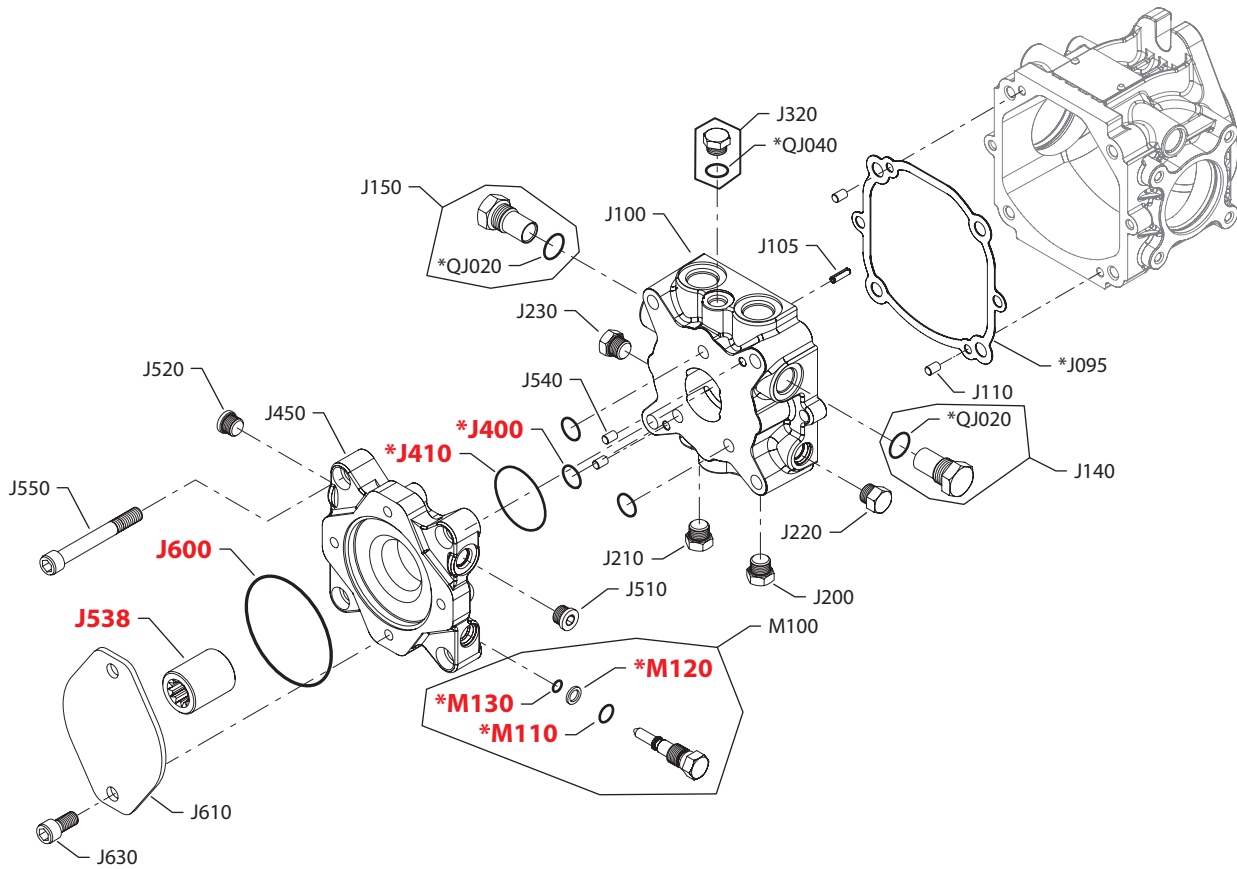

Variable displacement pump
End cap

Order Code	Item	Date Begin	Date End	Part Number	Part Name	Qty. per Model/Kit
ABN1	J095	11-34		11082808	Gasket	1
	J100	11-34		11098093	End cap	1
	J105	11-34		9004700-1910	Slotted pin	1
	J110	11-34		9004800-2506	Pin	2
	J140	11-34		11080925	Plug assembly	1
	J150	11-34		11080925	Plug assembly	1
	J200	11-34		9005100-5600	Plug assembly	1
	J210	11-34		9005100-5600	Plug assembly	1
	J220	11-34		9005100-5600	Plug assembly	1
	J230	11-34		9005100-5600	Plug assembly	1
	J320	11-34		1030155-SA	Plug assembly	1
	J400	11-34		9004105-0160	O-ring	3
	J410	11-34		9004104-0320	O-ring	1
	J450	11-34		11098094	Adapter, A pad	1
	J510	11-34		9005110-5600	Plug assembly	1
	J520	11-34		9005110-5600	Plug assembly	1
	J538	11-34		11096305	Coupling, 11 tooth	1
	J540	11-34		9004800-2506	Pin	2
	J550	11-34		AAM1008001	Screw	4
	J600	11-34		9004100-1520	O-ring	1
	J610	11-34		1040577	Flange cover	1
	J630	11-34		AAM1002001	Screw	2
	M100	11-34		11083527	Bypass valve assembly	1
	M110	11-34		11106929	O-ring	1
	M120	11-34		11076700	Back up ring	1
	M130	11-34		KP4F007	O-ring	1
	QJ020	11-34		9004201-5000	O-ring	2
	QJ040	11-34		9004201-3100	O-ring	1



Variable displacement pump

(ABN3)



* = included in overhaul seal kit Q210

E101 824E
Enlarged **bold** type item numbers are recommended part to stock for servicing.

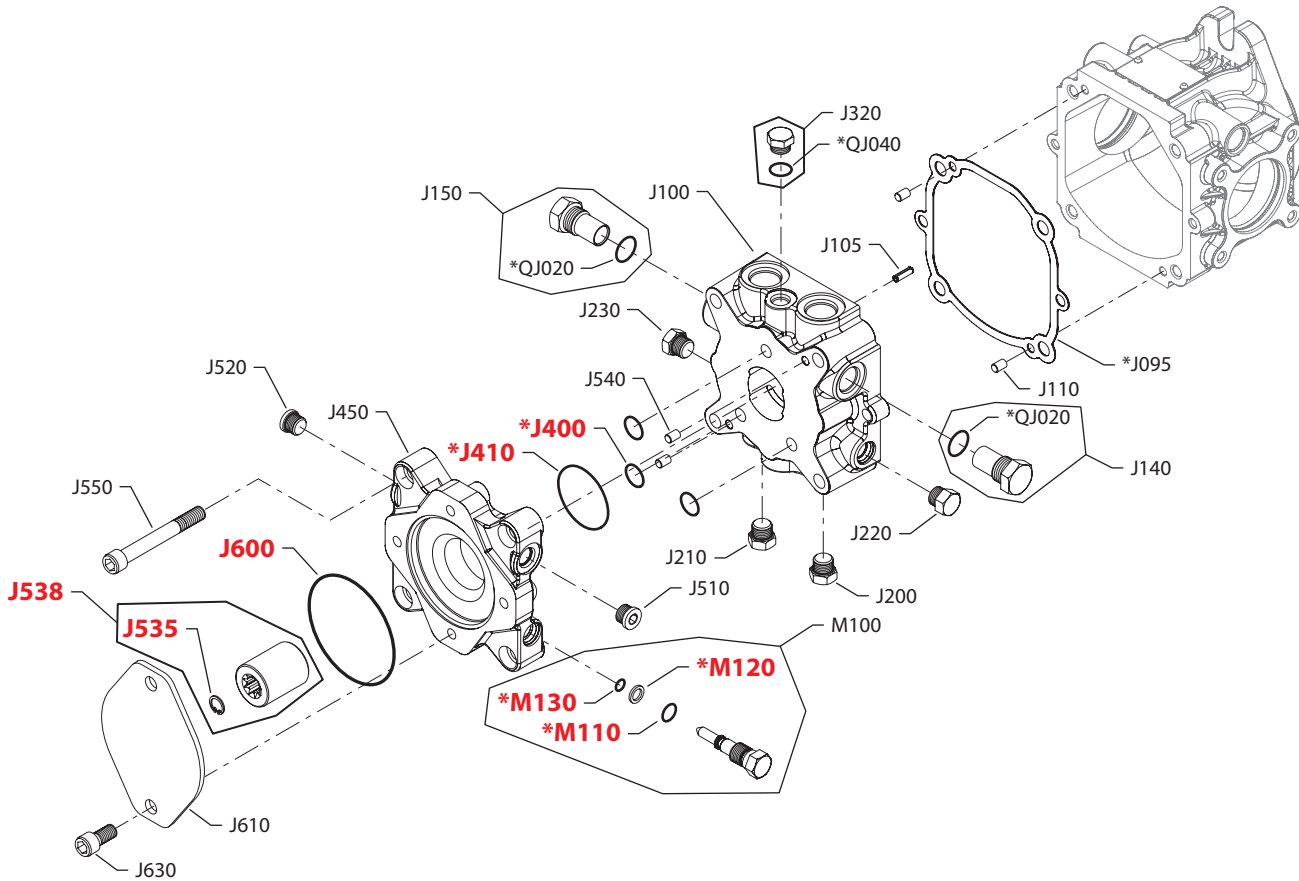

Variable displacement pump
End cap

Order Code	Item	Date Begin	Date End	Part Number	Part Name	Qty. per Model/Kit
ABN3	J095	15-36		11082808	Gasket	1
	J100	15-36		11098093	End cap	1
	J105	15-36		9004700-1910	Slotted pin	1
	J110	15-36		9004800-2506	Pin	2
	J140	15-36		11080925	Plug assembly	1
	J150	15-36		11080925	Plug assembly	1
	J200	15-36		9005100-5600	Plug assembly	1
	J210	15-36		9005100-5600	Plug assembly	1
	J220	15-36		9005100-5600	Plug assembly	1
	J230	15-36		9005100-5600	Plug assembly	1
	J320	15-36		1030155-SA	Plug assembly	1
	J400	15-36		9004105-0160	O-ring	3
	J410	15-36		9004104-0320	O-ring	1
	J450	15-36		11098094	Adapter, A pad	1
	J510	15-36		9005110-5600	Plug assembly	1
	J520	15-36		9005110-5600	Plug assembly	1
	J538	15-36		11150108	Coupling, 13 tooth	1
	J540	15-36		9004800-2506	Pin	2
	J550	15-36		AAM1008001	Screw	4
	J600	15-36		9004100-1520	O-ring	1
	J610	15-36		1040577	Flange cover	1
	J630	15-36		AAM1002001	Screw	2
	M100	15-36		11083527	Bypass valve assembly	1
	M110	15-36		11106929	O-ring	1
	M120	15-36		11076700	Back up ring	1
	M130	15-36		KP4F007	O-ring	1
	QJ020	15-36		9004201-5000	O-ring	2
	QJ040	15-36		9004201-3100	O-ring	1



Variable displacement pump

(ABN9)



* = included in overhaul seal kit Q210

E101 825E
Enlarged **bold** type item numbers are recommended part to stock for servicing.

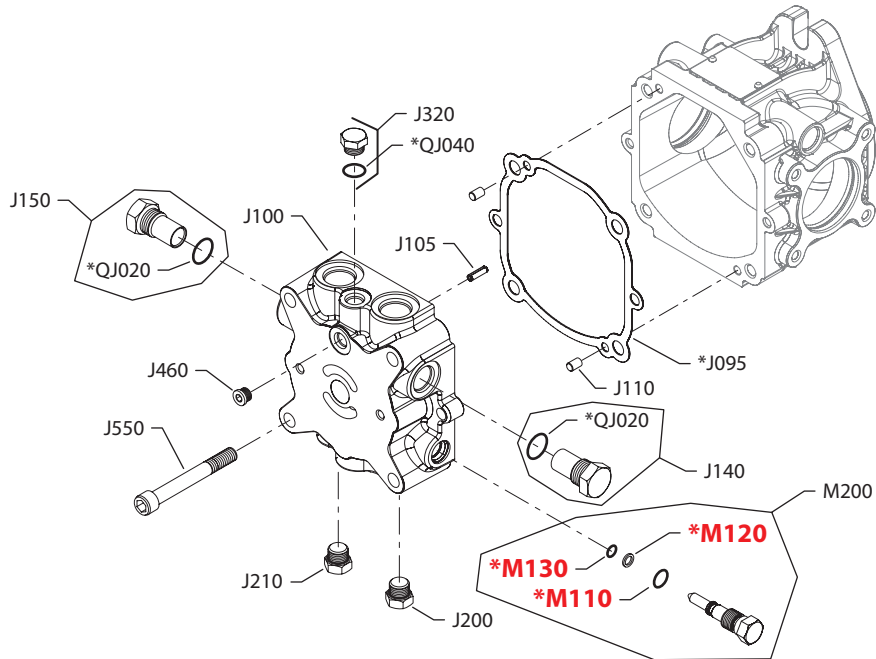

Variable displacement pump
End cap

Order Code	Item	Date Begin	Date End	Part Number	Part Name	Qty. per Model/Kit
ABN9	J095	11-34		11082808	Gasket	1
	J100	11-34		11098093	End cap	1
	J105	11-34		9004700-1910	Slotted pin	1
	J110	11-34		9004800-2506	Pin	2
	J140	11-34		11080925	Plug assembly	1
	J150	11-34		11080925	Plug assembly	1
	J200	11-34		9005100-5600	Plug assembly	1
	J210	11-34		9005100-5600	Plug assembly	1
	J220	11-34		9005100-5600	Plug assembly	1
	J230	11-34		9005100-5600	Plug assembly	1
	J320	11-34		1030155-SA	Plug assembly	1
	J400	11-34		9004105-0160	O-ring	3
	J410	11-34		9004104-0320	O-ring	1
	J450	11-34		11098094	Adapter, A pad	1
	J510	11-34		9005110-5600	Plug assembly	1
	J520	11-34		9005110-5600	Plug assembly	1
	J535	11-34		FBE013	Retaining ring	1
	J538	11-34		11102274	Coupling assembly, 9 tooth	1
	J540	11-34		9004800-2506	Pin	2
	J550	11-34		AAM1008001	Screw	4
	J600	11-34		9004100-1520	O-ring	1
	J610	11-34		1040577	Flange cover	1
	J630	11-34		AAM1002001	Screw	2
	M100	11-34		11083527	Bypass valve assembly	1
	M110	11-34		11106929	O-ring	1
	M120	11-34		11076700	Back up ring	1
	M130	11-34		KP4F007	O-ring	1
	QJ020	11-34		9004201-5000	O-ring	2
	QJ040	11-34		9004201-3100	O-ring	1

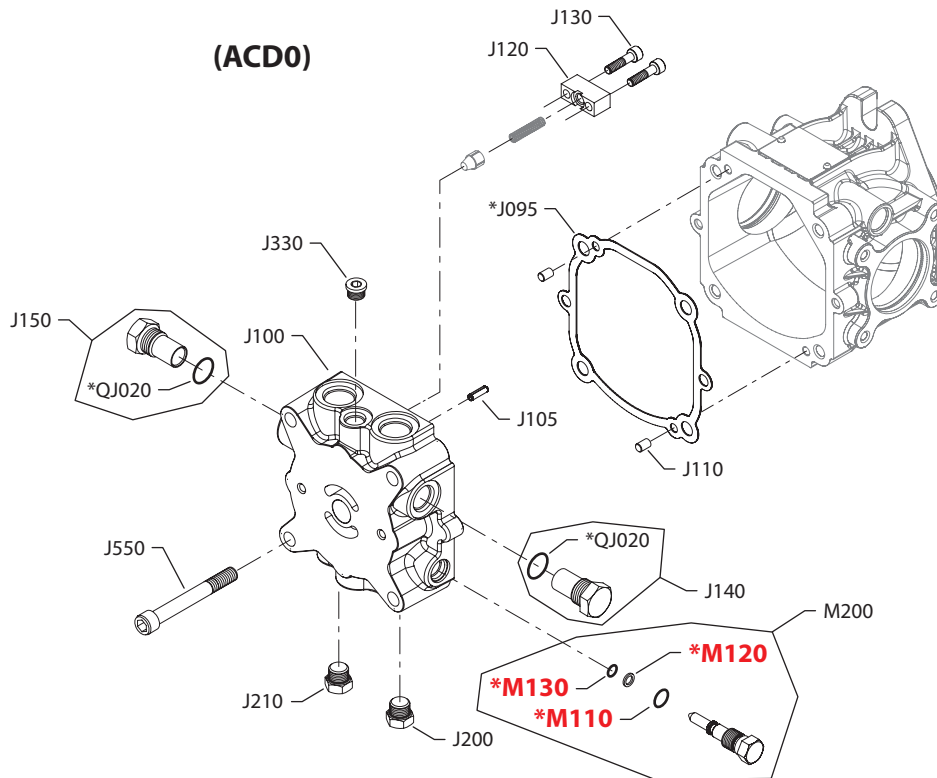


Variable displacement pump

(ACA0)



(ACD0)



E101 826E

* = included in overhaul seal kit Q210

Enlarged **bold** type item numbers are recommended part to stock for servicing.

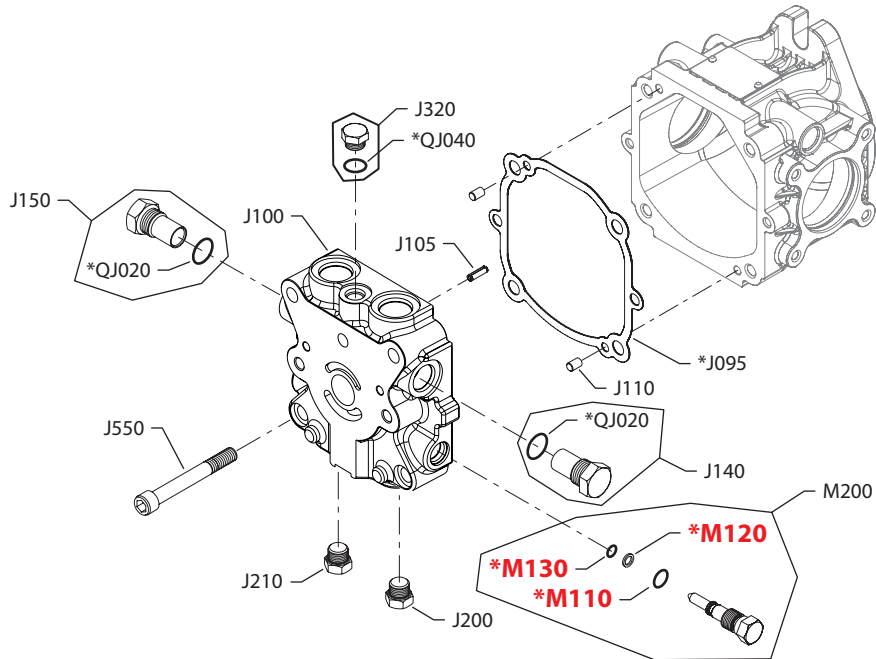

Variable displacement pump
End cap

Order Code	Item	Date Begin	Date End	Part Number	Part Name	Qty. per Model/Kit	
ACA0	J095	11-34		11082808	Gasket	1	
	J100	11-34		11094893	End cap	1	
	J105	11-34		9004700-1910	Slotted pin	1	
	J110	11-34		9004800-2506	Pin	2	
	J140	11-34		11080925	Plug assembly	1	
	J150	11-34		11080925	Plug assembly	1	
	J200	11-34		9005100-5600	Plug assembly	1	
	J210	11-34		9005100-5600	Plug assembly	1	
	J320	11-34		1030155-SA	Plug assembly	1	
	J460	11-34		9005110-4400	Plug assembly	1	
	J550	11-34		AAM1006501	Screw	4	
	M200	11-34		11083527	Bypass valve assembly	1	
	M110	11-34		11106929	O-ring	1	
	M120	11-34		11076700	Back up ring	1	
	M130	11-34		KP4F007	O-ring	1	
	QJ020	11-34		9004201-5000	O-ring	2	
	QJ040	11-34		9004201-3100	O-ring	1	
	ACD0	J095	11-34		11082808	Gasket	1
		J100	11-34		11080511	End cap	1
		J105	11-34		9004700-1910	Slotted pin	1
J110		11-34		9004800-2506	Pin	2	
J120		11-34		11050246	Spring guide	1	
J130		11-34		AAM0602501	Screw	2	
J140		11-34		11080925	Plug assembly	1	
J150		11-34		11080925	Plug assembly	1	
J200		11-34		9005100-5600	Plug assembly	1	
J210		11-34		9005100-5600	Plug assembly	1	
J330		11-34		9005110-5600	Plug assembly	1	
J550		11-34		AAM1006501	Screw	4	
M200		11-34		11083527	Bypass valve assembly	1	
M110		11-34		11106929	O-ring	1	
M120		11-34		11076700	Back up ring	1	
M130		11-34		KP4F007	O-ring	1	
QJ020		11-34		9004201-5000	O-ring	2	

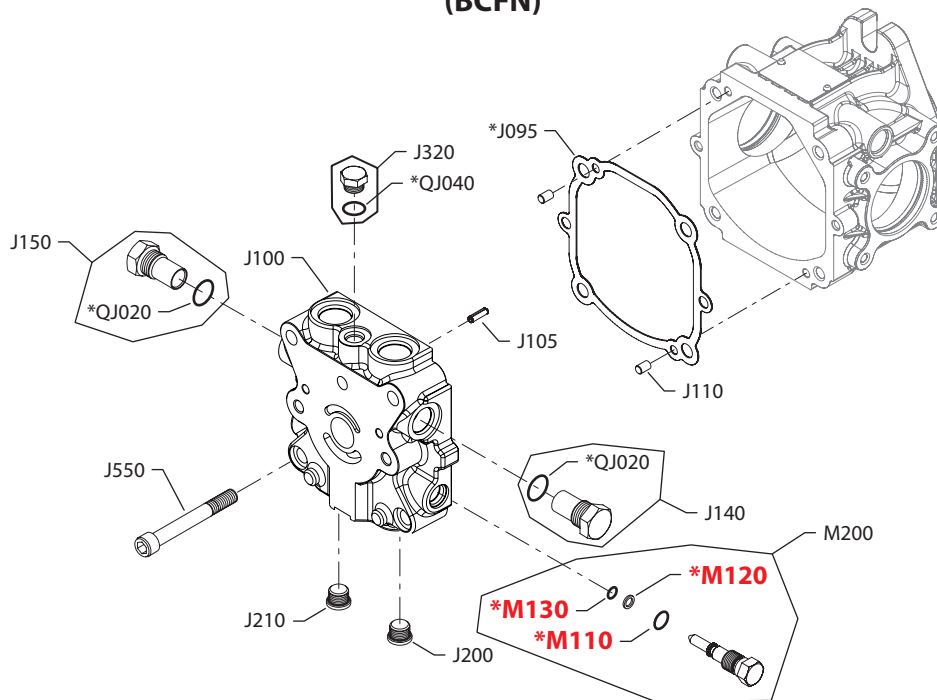


Variable displacement pump

(BCF0)



(BCFN)



E103 251E

* = included in overhaul seal kit Q210

Enlarged **bold** type item numbers are recommended part to stock for servicing.

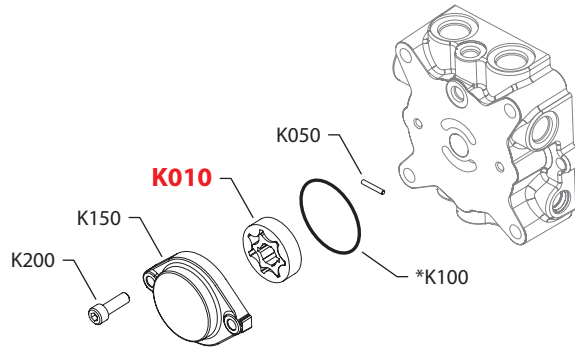

Variable displacement pump
End cap

Order Code	Item	Date Begin	Date End	Part Number	Part Name	Qty. per Model/Kit	
BCF0	J095	14-45		11082808	Gasket	1	
	J100	14-45		11152853	End cap	1	
	J105	14-45		9004700-1910	Slotted pin	1	
	J110	14-45		9004800-2506	Pin	2	
	J140	14-45		11080925	Plug assembly	1	
	J150	14-45		11080925	Plug assembly	1	
	J200	14-45		9005100-5600	Plug assembly	1	
	J210	14-45		9005100-5600	Plug assembly	1	
	J320	14-45		1030155-SA	Plug assembly	1	
	J550	14-45		AAM1004501	Screw	2	
	M200	14-45		11083527	Bypass valve assembly	1	
	M110	14-45		11106929	O-ring	1	
	M120	14-45		11076700	Back up ring	1	
	M130	14-45		KP4F007	O-ring	1	
	QJ020	14-45		9004201-5000	O-ring	2	
	QJ040	14-45		9004201-3100	O-ring	1	
	BCFN	J095	14-45		11082808	Gasket	1
		J100	14-45		11152853	End cap	1
		J105	14-45		9004700-1910	Slotted pin	1
		J110	14-45		9004800-2506	Pin	2
J140		14-45		11080925	Plug assembly	1	
J150		14-45		11080925	Plug assembly	1	
J200		14-45		9005110-5600	Plug assembly	1	
J210		14-45		9005110-5600	Plug assembly	1	
J320		14-45		1030155-SA	Plug assembly	1	
J550		14-45		AAM1004501	Screw	2	
M200		14-45		11083527	Bypass valve assembly	1	
M110		14-45		11106929	O-ring	1	
M120		14-45		11076700	Back up ring	1	
M130		14-45		KP4F007	O-ring	1	
QJ020		14-45		9004201-5000	O-ring	2	
QJ040		14-45		9004201-3100	O-ring	1	

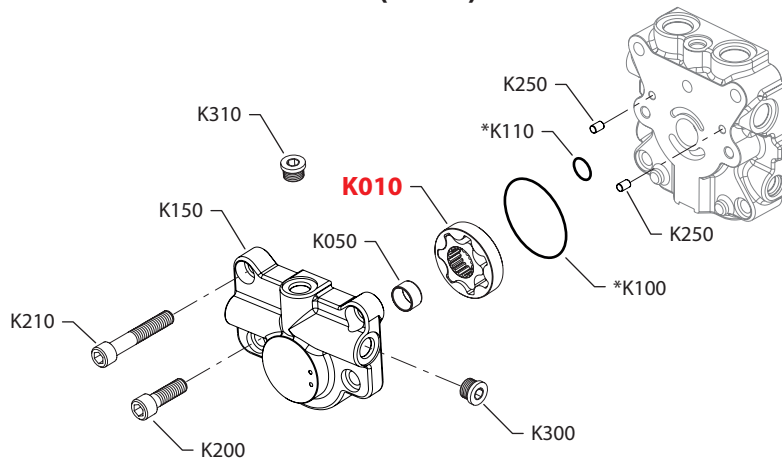


Variable displacement pump

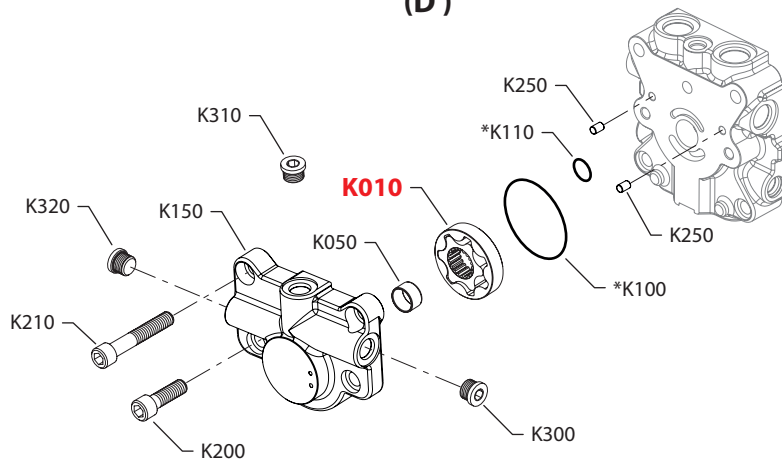
(3 & 5)



(B & C)



(D)



* = included in overhaul seal kit Q210

E103 252E

Enlarged **bold** type item numbers are recommended part to stock for servicing.

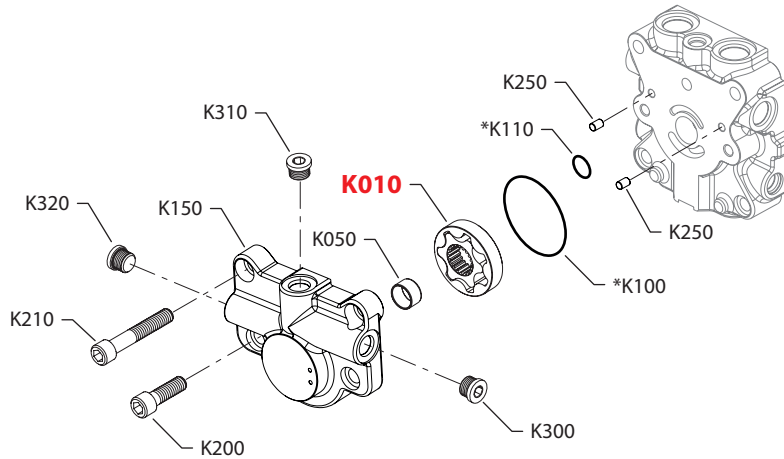

Variable displacement pump
Charge pump

Order Code	Item	Date Begin	Date End	Part Number	Part Name	Qty. per Model/Kit
3	K010	11-34		3102504	Gerotor assembly, 3.1cc	1
	K050	11-34		9004800-1213	Pin	1
	K100	11-34		KG1A055	O-ring	1
	K150	11-34		11083642	Charge pump housing	1
	K200	11-34		AAM0802501	Screw	2
5	K010	11-34		3102214	Gerotor assembly, 4.8cc	1
	K050	11-34		9004800-1213	Pin	1
	K100	11-34		KG1A055	O-ring	1
	K150	11-34		11083723	Charge pump housing	1
	K200	11-34		AAM0802501	Screw	2
B	K010	14-45		11152848	Gerotor assembly, 7.5cc	1
	K050	14-45		11152849	Journal bearing	1
	K100	14-45		9004104-0360	O-ring	1
	K110	14-45		9004105-0160	O-ring	1
	K150	14-45		11155557	Charge pump housing	1
	K200	14-45		AAM1003001	Screw	2
	K210	14-45		AAM1006501	Screw	2
	K250	14-45		9004800-2506	Pin	2
	K300	14-45		9005110-5600	Plug assembly	1
	K310	14-45		9005110-5600	Plug assembly	1
C	K010	14-45		11152848	Gerotor assembly, 7.5cc	1
	K050	14-45		11152849	Journal bearing	1
	K100	14-45		9004104-0360	O-ring	1
	K110	14-45		9004105-0160	O-ring	1
	K150	14-45		11155559	Charge pump housing	1
	K200	14-45		AAM1003001	Screw	2
	K210	14-45		AAM1006501	Screw	2
	K250	14-45		9004800-2506	Pin	2
	K300	14-45		9005110-5600	Plug assembly	1
	K310	14-45		9005110-5600	Plug assembly	1
D	K010	14-45		11152847	Gerotor assembly, 5.4cc	1
	K050	14-45		11152849	Journal bearing	1
	K100	14-45		9004104-0360	O-ring	1
	K110	14-45		9004105-0160	O-ring	1
	K150	14-45		11153543	Charge pump housing	1
	K200	14-45		AAM1003001	Screw	2
	K210	14-45		AAM1006501	Screw	2
	K250	14-45		9004800-2506	Pin	2
	K300	14-45		9005110-5600	Plug assembly	1
	K310	14-45		9005110-5600	Plug assembly	1
	K320	14-45		9005110-5600	Plug assembly	1



Variable displacement pump

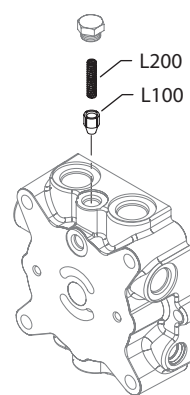
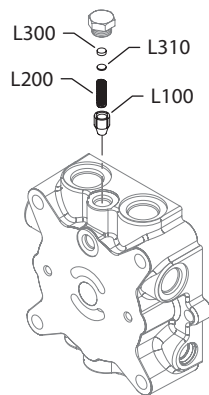
(E, F & G)



(05)

(07 & 18)

Note: Shim quantity is A/R (as required) to reach proper pressure setting.



* = included in overhaul seal kit Q210

E101 828E
Enlarged **bold** type item numbers are recommended part to stock for servicing.


Variable displacement pump
Charge pump

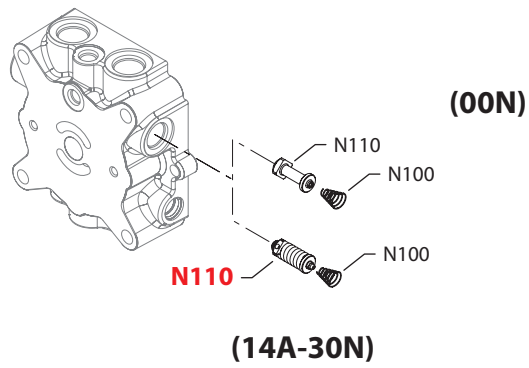
Order Code	Item	Date Begin	Date End	Part Number	Part Name	Qty. per Model/Kit
E	K010	14-45		11152847	Gerotor assembly, 5.4cc	1
	K050	14-45		11152849	Journal bearing	1
	K100	14-45		9004104-0360	O-ring	1
	K110	14-45		9004105-0160	O-ring	1
	K150	14-45		11153544	Charge pump housing	1
	K200	14-45		AAM1003001	Screw	2
	K210	14-45		AAM1006501	Screw	2
	K250	14-45		9004800-2506	Pin	2
	K300	14-45		9005110-5600	Plug assembly	1
	K310	14-45		9005110-5600	Plug assembly	1
	K320	14-45		9005110-5600	Plug assembly	1
	F	K010	14-45		11152848	Gerotor assembly, 7.5cc
K050		14-45		11152849	Journal bearing	1
K100		14-45		9004104-0360	O-ring	1
K110		14-45		9004105-0160	O-ring	1
K150		14-45		11153547	Charge pump housing	1
K200		14-45		AAM1003001	Screw	2
K210		14-45		AAM1006501	Screw	2
K250		14-45		9004800-2506	Pin	2
K300		14-45		9005110-5600	Plug assembly	1
K310		14-45		9005110-5600	Plug assembly	1
K320		14-45		9005110-5600	Plug assembly	1
G		K010	14-45		11152848	Gerotor assembly, 7.5cc
	K050	14-45		11152849	Journal bearing	1
	K100	14-45		9004104-0360	O-ring	1
	K110	14-45		9004105-0160	O-ring	1
	K150	14-45		11153548	Charge pump housing	1
	K200	14-45		AAM1003001	Screw	2
	K210	14-45		AAM1006501	Screw	2
	K250	14-45		9004800-2506	Pin	2
	K300	14-45		9005110-5600	Plug assembly	1
	K310	14-45		9005110-5600	Plug assembly	1
	K320	14-45		9005110-5600	Plug assembly	1
	N				none	

Charge pressure relief

05	L100	15-43		1040213	Relief valve poppet	1
	L200	15-43		1743964	Spring	1
	L300	15-43		11079743	Shim, 2.0mm	A/R
	L310	15-43		3100069-4	Shim, 0.5mm	A/R
07	L100	11-34		1040213	Relief valve poppet	1
	L200	11-34		11050368	Spring	1
18	L100	14-45		1040213	Relief valve poppet	1
	L200	14-45		11157942	Spring	1



Variable displacement pump



E103 253E

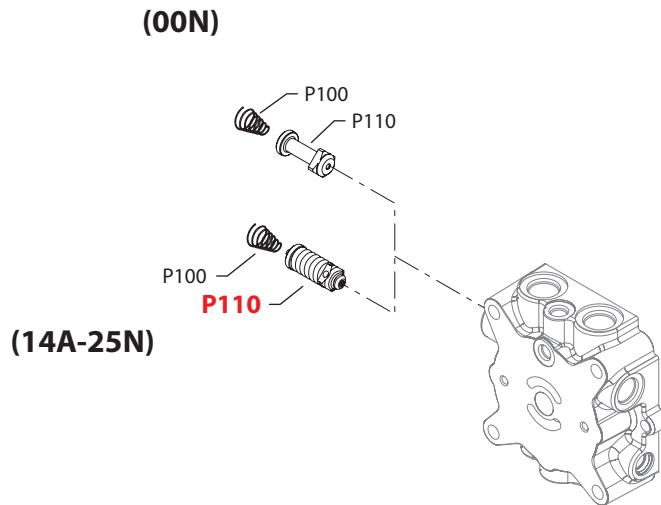
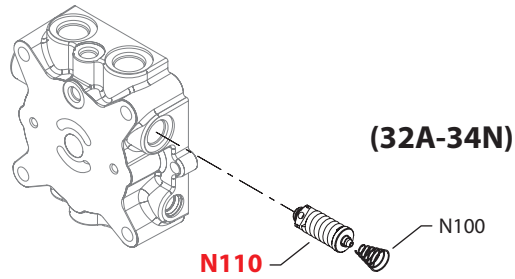
Enlarged **bold** type item numbers are recommended part to stock for servicing.


Variable displacement pump
System pressure protection, port A

Order Code	Item	Date Begin	Date End	Part Number	Part Name	Qty. per Model/Kit
00N	N100	11-34		4800780	Spring	1
	N110	11-34		3103348	Check valve poppet	1
14A	N100	11-34		4800780	Spring	1
	N110	11-34		11068596	SCR valve, with 0.85mm orifice, 140 bar [2030 psi]	1
14N	N100	11-34		4800780	Spring	1
	N110	11-34		3103375-0140	SCR valve, 140 bar [2030 psi]	1
17A	N100	11-34		4800780	Spring	1
	N110	11-34		11068588	SCR valve, with 0.85 orifice, 175 bar [2538 psi]	1
17N	N100	11-34		4800780	Spring	1
	N110	11-34		3103375-0175	SCR valve, 175 bar [2538 psi]	1
19A	N100	11-34		4800780	Spring	1
	N110	11-34		11104695	SCR valve, with 0.85 orifice, 190 bar [2755 psi]	1
19N	N100	11-34		4800780	Spring	1
	N110	11-34		3103375-0190	SCR valve, 190 bar [2755 psi]	1
21A	N100	11-34		4800780	Spring	1
	N110	11-34		11066872	SCR valve, with 0.85 orifice, 210 bar [3045 psi]	1
21N	N100	11-34		4800780	Spring	1
	N110	11-34		3103375-0210	SCR valve, 210 bar [3045 psi]	1
23A	N100	11-34		4800780	Spring	1
	N110	11-34		11104696	SCR valve, with 0.85 orifice, 230 bar [3335 psi]	1
23N	N100	11-34		4800780	Spring	1
	N110	11-34		3103375-0230	SCR valve, 230 bar [3335 psi]	1
25A	N100	11-34		4800780	Spring	1
	N110	11-34		11065546	SCR valve, with 0.85 orifice, 250 bar [3625 psi]	1
25N	N100	11-34		4800780	Spring	1
	N110	11-34		3103375-0250	SCR valve, 250 bar [3625 psi]	1
28A	N100	11-34		4800780	Spring	1
	N110	11-34		11065532	SCR valve, with 0.85 orifice, 280 bar [4060 psi]	1
28N	N100	11-34		4800780	Spring	1
	N110	11-34		3103375-0280	SCR valve, 280 bar [4060 psi]	1
30A	N100	11-34		4800780	Spring	1
	N110	11-34		11065535	SCR valve, with 0.85 orifice, 300 bar [4350 psi]	1
30N	N100	11-34		4800780	Spring	1
	N110	11-34		3103375-0300	SCR valve, 300 bar [4350 psi]	1



System pressure protection



E101 829E

Enlarged **bold** type item numbers are recommended part to stock for servicing.


System pressure protection
System pressure protection, port A

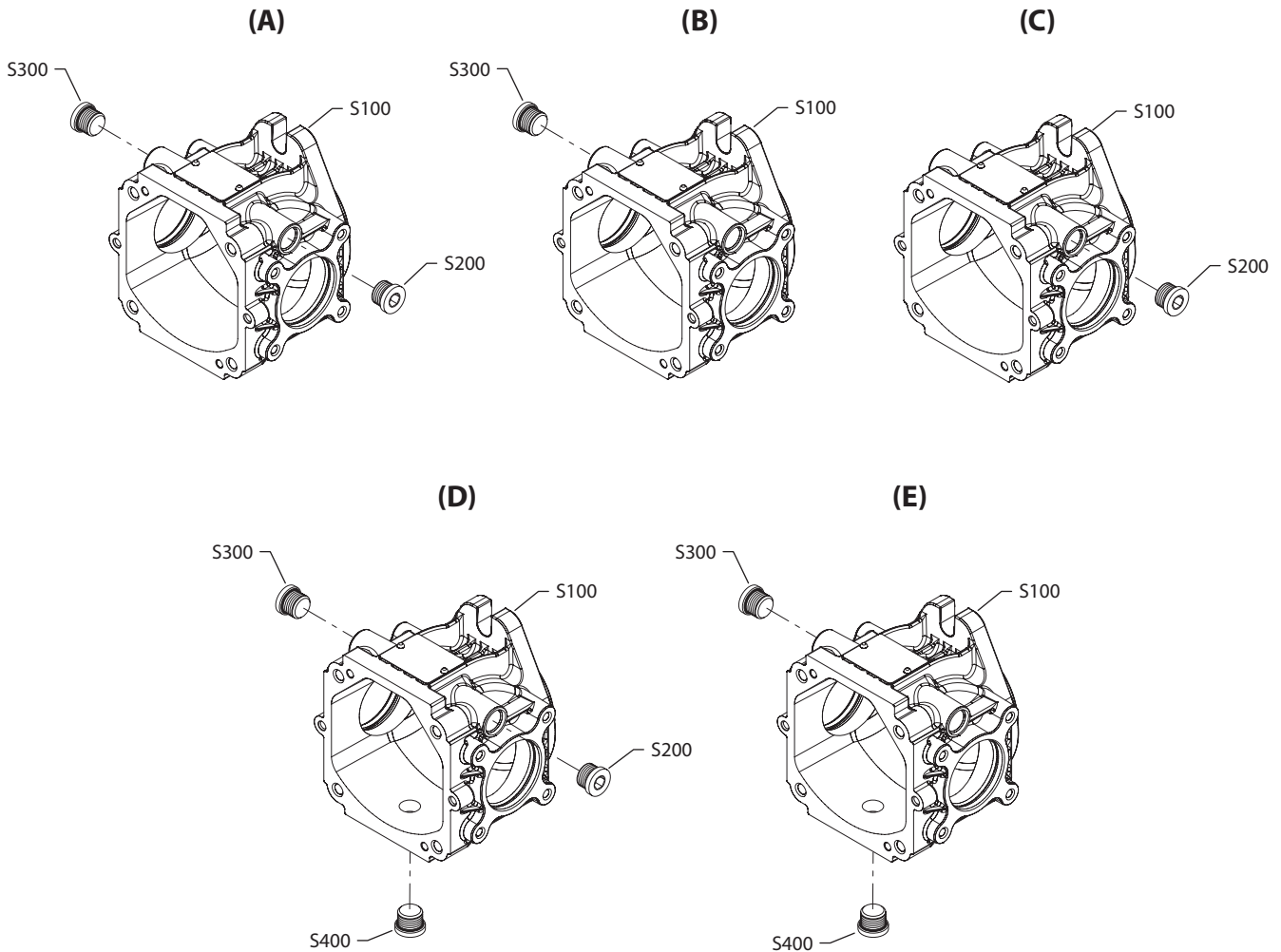
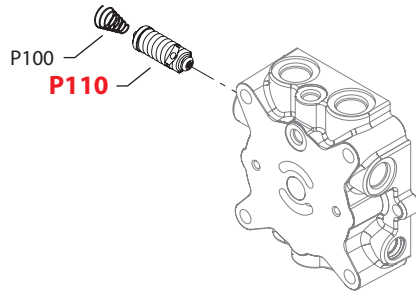
Order Code	Item	Date Begin	Date End	Part Number	Part Name	Qty. per Model/Kit
32A	N100	11-34		4800780	Spring	1
	N110	11-34		11065541	SCR valve, with 0.85 orifice, 325 bar [4712 psi]	1
32N	N100	11-34		4800780	Spring	1
	N110	11-34		3103375-0325	SCR valve, 325 bar [4712 psi]	1
34A	N100	11-34		4800780	Spring	1
	N110	11-34		11065545	SCR valve, with 0.85 orifice, 345 bar [5000 psi]	1
34N	N100	11-34		4800780	Spring	1
	N110	11-34		3103375-0345	SCR valve, 345 bar [5000 psi]	1

System pressure protection, port B

00N	P100	11-34		4800780	Spring	1
	P110	11-34		3103348	Check valve poppet	1
14A	P100	11-34		4800780	Spring	1
	P110	11-34		11068596	SCR valve, with 0.85mm orifice, 140 bar [2030 psi]	1
14N	P100	11-34		4800780	Spring	1
	P110	11-34		3103375-0140	SCR valve, 140 bar [2030 psi]	1
17A	P100	11-34		4800780	Spring	1
	P110	11-34		11068588	SCR valve, with 0.85 orifice, 175 bar [2538 psi]	1
17N	P100	11-34		4800780	Spring	1
	P110	11-34		3103375-0175	SCR valve, 175 bar [2538 psi]	1
19A	P100	11-34		4800780	Spring	1
	P110	11-34		11104695	SCR valve, with 0.85 orifice, 190 bar [2755 psi]	1
19N	P100	11-34		4800780	Spring	1
	P110	11-34		3103375-0190	SCR valve, 190 bar [2755 psi]	1
21A	P100	11-34		4800780	Spring	1
	P110	11-34		11066872	SCR valve, with 0.85 orifice, 210 bar [3045 psi]	1
21N	P100	11-34		4800780	Spring	1
	P110	11-34		3103375-0210	SCR valve, 210 bar [3045 psi]	1
23A	P100	11-34		4800780	Spring	1
	P110	11-34		11104696	SCR valve, with 0.85 orifice, 230 bar [3335 psi]	1
23N	P100	11-34		4800780	Spring	1
	P110	11-34		3103375-0230	SCR valve, 230 bar [3335 psi]	1
25A	P100	11-34		4800780	Spring	1
	P110	11-34		11065546	SCR valve, with 0.85 orifice, 250 bar [3625 psi]	1
25N	P100	11-34		4800780	Spring	1
	P110	11-34		3103375-0250	SCR valve, 250 bar [3625 psi]	1



(28A-34N)



E103 254E

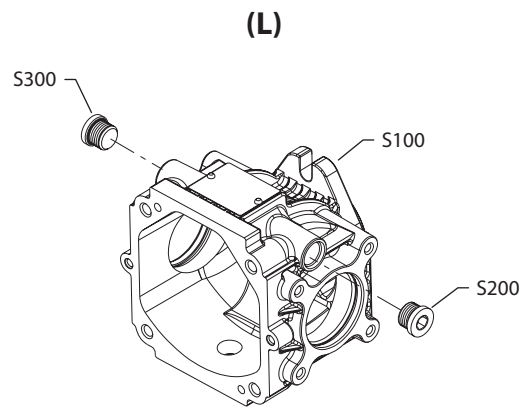
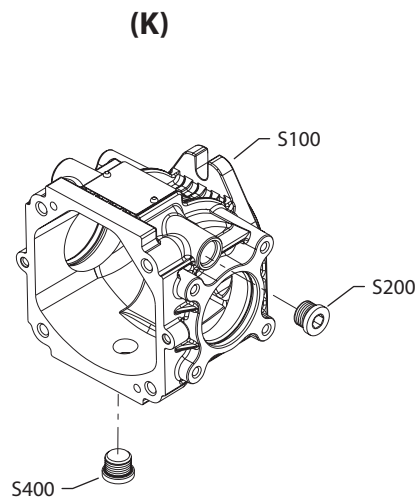
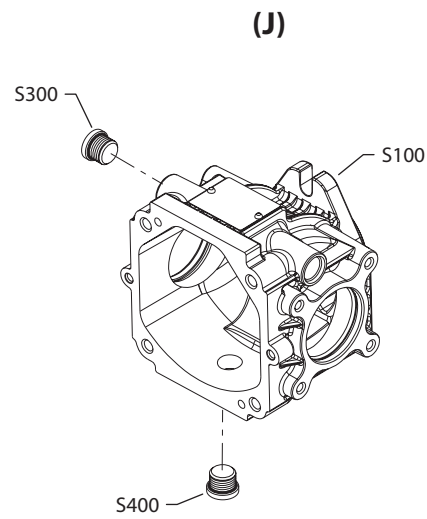
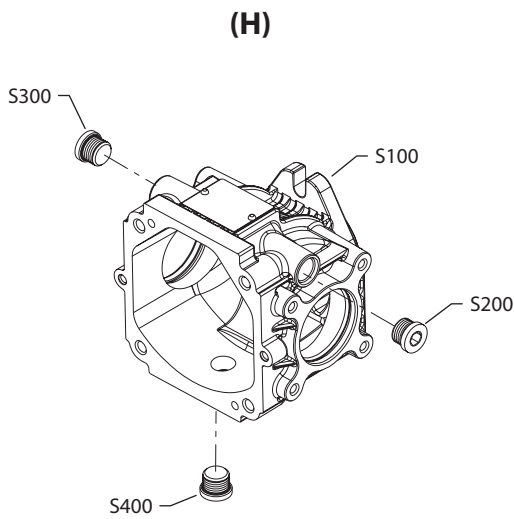
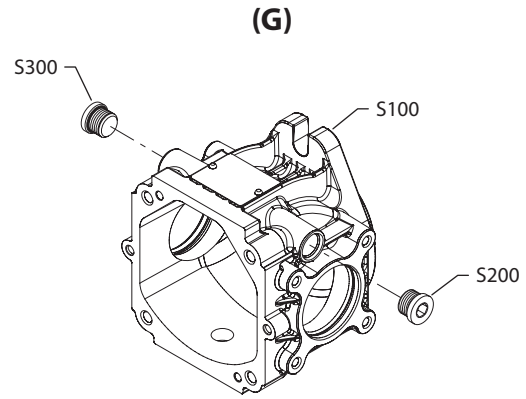
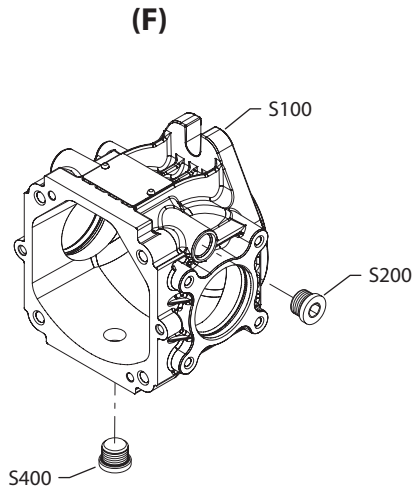
Enlarged **bold** type item numbers are recommended part to stock for servicing.


System pressure protection, port B

Order Code	Item	Date Begin	Date End	Part Number	Part Name	Qty. per Model/Kit
28A	P100	11-34		4800780	Spring	1
	P110	11-34		11065532	SCR valve, with 0.85 orifice, 280 bar [3045 psi]	1
28N	P100	11-34		4800780	Spring	1
	P110	11-34		3103375-0280	SCR valve, 280 bar [3045 psi]	1
30A	P100	11-34		4800780	Spring	1
	P110	11-34		11065535	SCR valve, with 0.85 orifice, 300 bar [4350 psi]	1
30N	P100	11-34		4800780	Spring	1
	P110	11-34		3103375-0300	SCR valve, 300 bar [4350 psi]	1
32A	P100	11-34		4800780	Spring	1
	P110	11-34		11065541	SCR valve, with 0.85 orifice, 325 bar [4712 psi]	1
32N	P100	11-34		4800780	Spring	1
	P110	11-34		3103375-0175	SCR valve, 325 bar [4712 psi]	1
34A	P100	11-34		4800780	Spring	1
	P110	11-34		11065545	SCR valve, with 0.85 orifice, 345 bar [5000 psi]	1
34N	P100	11-34		4800780	Spring	1
	P110	11-34		3103375-0345	SCR valve, 345 bar [5000 psi]	1

Input flange

A	S100	11-34	13-29	11075508	Housing	1
	S200	11-34	13-29	9005110-7500	Plug assembly	1
	S300	11-34	13-29	9005110-7500	Plug assembly	1
B	S100	11-34	13-29	11075508	Housing	1
	S300	11-34	13-29	9005110-7500	Plug assembly	1
C	S100	11-34	13-29	11075508	Housing	1
	S200	11-34	13-29	9005110-7500	Plug assembly	1
D	S100	11-34		11100113	Housing	1
	S200	11-34		9005110-7500	Plug assembly	1
	S300	11-34		9005110-7500	Plug assembly	1
	S400	11-34		9005110-7500	Plug assembly	1
E	S100	11-34		11100113	Housing	1
	S300	11-34		9005110-7500	Plug assembly	1
	S400	11-34		9005110-7500	Plug assembly	1




Input flange

Order Code	Item	Date Begin	Date End	Part Number	Part Name	Qty. per Model/Kit
F	S100	11-34		11100113	Housing	1
	S200	11-34		9005110-7500	Plug assembly	1
	S400	11-34		9005110-7500	Plug assembly	1
G	S100	11-34		11100113	Housing	1
	S200	11-34		9005110-7500	Plug assembly	1
	S300	11-34		9005110-7500	Plug assembly	1
H	S100	14-45		11131449	Housing, SAE A flange	1
	S200	14-45		9005110-7500	Plug assembly	1
	S300	14-45		9005110-7500	Plug assembly	1
	S400	14-45		9005110-7500	Plug assembly	1
J	S100	14-45		11131449	Housing, SAE A flange	1
	S300	14-45		9005110-7500	Plug assembly	1
	S400	14-45		9005110-7500	Plug assembly	1
K	S100	14-45		11131449	Housing, SAE A flange	1
	S200	14-45		9005110-7500	Plug assembly	1
	S400	14-45		9005110-7500	Plug assembly	1
L	S100	14-45		11131449	Housing, SAE A flange	1
	S200	14-45		9005110-7500	Plug assembly	1
	S300	14-45		9005110-7500	Plug assembly	1

Overhaul seal kit

Q210	11-34		11101229	Overhaul seal kit, DDC20	1
E210	11-34		11050327	Lip seal	1
E220	11-34		9004104-1360	O-ring	1
E320	11-34		9004104-1360	O-ring	1
F120	11-34		11082827	Seal	1
J095	11-34		11082808	Gasket	1
J400/K110	11-34		9004105-0160	O-ring	3
J410	11-34		9004104-0320	O-ring	1
K100	11-34		KG1A055	O-ring	1
K100	11-34		9004104-0360	O-ring	1
M110	11-34		KP1A011	O-ring	1
M120	11-34		11076700	Back up ring	1
M130	11-34		KP4F007	O-ring	1
QJ020	11-34		9004201-5000	O-ring	2
QJ040	11-34		9004201-3100	O-ring	1



Products we offer:

- Bent Axis Motors
- Closed Circuit Axial Piston Pumps and Motors
- Displays
- Electrohydraulic Power Steering
- Electrohydraulics
- Hydraulic Power Steering
- Integrated Systems
- Joysticks and Control Handles
- Microcontrollers and Software
- Open Circuit Axial Piston Pumps
- Orbital Motors
- PLUS+1® GUIDE
- Proportional Valves
- Sensors
- Steering
- Transit Mixer Drives

Danfoss Power Solutions is a global manufacturer and supplier of high-quality hydraulic and electronic components. We specialize in providing state-of-the-art technology and solutions that excel in the harsh operating conditions of the mobile off-highway market. Building on our extensive applications expertise, we work closely with our customers to ensure exceptional performance for a broad range of off-highway vehicles.

We help OEMs around the world speed up system development, reduce costs and bring vehicles to market faster.

Danfoss – Your Strongest Partner in Mobile Hydraulics.

Go to www.powersolutions.danfoss.com for further product information.

Wherever off-highway vehicles are at work, so is Danfoss.

We offer expert worldwide support for our customers, ensuring the best possible solutions for outstanding performance. And with an extensive network of Global Service Partners, we also provide comprehensive global service for all of our components.

Please contact the Danfoss Power Solution representative nearest you.

Comatrol

www.comatrol.com

Schwarzmueller-Inverter

www.schwarzmueller-inverter.com

Turolla

www.turollaocg.com

Valmova

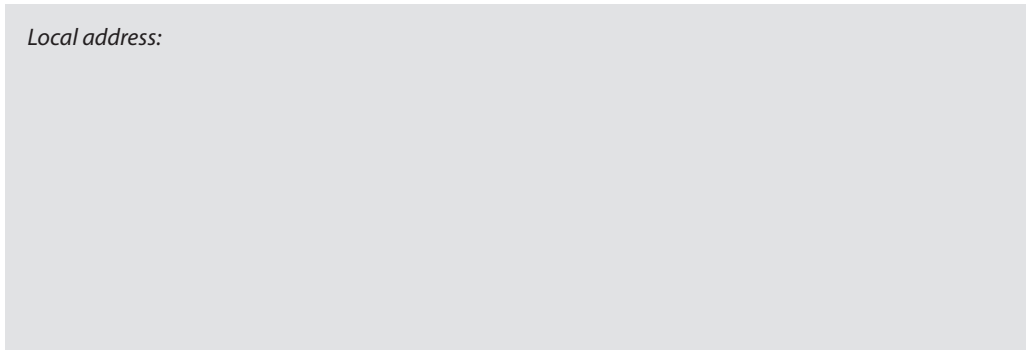
www.valmova.com

Hydro-Gear

www.hydro-gear.com

Daikin-Sauer-Danfoss

www.daikin-sauer-danfoss.com



Local address:

Danfoss Power Solutions US Company
2800 East 13th Street
Ames, IA 50010, USA
Phone: +1 515 239 6000

Danfoss Power Solutions GmbH & Co. OHG
Krokamp 35
D-24539 Neumünster, Germany
Phone: +49 4321 871 0

Danfoss Power Solutions ApS
Nordborgvej 81
DK-6430 Nordborg, Denmark
Phone: +45 7488 4444

Danfoss Power Solutions
Building #22, No. 1000 Jin Hai Rd
Jin Qiao, Pudong New District
Shanghai, China 201206
Phone: +86 21 3418 5200

Danfoss can accept no responsibility for possible errors in catalogues, brochures and other printed material. Danfoss reserves the right to alter its products without notice. This also applies to products already on order provided that such alterations can be made without consequential changes being necessary in specifications already agreed. All trademarks in this material are property of the respective companies. Danfoss and the Danfoss logotype are trademarks of Danfoss A/S. All rights reserved.