



Product Line Overview

H1

Axial Piston Pumps



H1 Axial Piston Pumps, Product Line Overview

Other important available literature

Description	Danfoss Order Number
Basic Information, H1 Axial Piston Pumps, Single and Tandem	11062168
H1 Electrical Displacement Control (EDC), Product Electrical Installation	11022744
H1 3-Position (FNR) Electrical Control, Product Electrical Installation	11025001
H1 Non-Feedback Proportional Electric (NFPE) Control, Product Electrical Installation	11025002
H1 Automotive Control for Single Axial Piston Pumps 045 - 165 cc	L1223856
Speed and Temperature Sensor, Technical Information	11046759
Pressure Sensor, Technical Information	L1007019
External Remote Charge Pressure Filter, Data Sheet	520L1030
External Remote Charge Pressure Filter, Technical Information	11064579
Hydraulic Fluids and Lubricants, Technical Information	520L0463
Experience with Biodegradable Hydraulic Fluids, Technical Information	520L0465
Service Manual, Frame Size 045/053	520L0958
Service Manual, Frame Size 069/078, 089/100,115/130, 147/165, 210/250	520L0848

Technical Literature is available at: www.Danfoss.com

Product Line Overview H1 Axial Piston Pumps
Technical Specifications

Pump	Displacement		Speed		Pressure				Weight dry (W/O PTO and Filter)	Control Options		Mounting Flange
			Rated	Max	Max working pressure*		Max pressure					
	cm ³	[in ³]	min ⁻¹ (rpm)		bar	[psi]	bar	[psi]	kg [lb]			SAE
Size 045/053 Single Pumps			Technical Information, Danfoss Order Number				11063344	L1223856				
H1P045	45.0	[2.75]	3400	3500	420	[6090]	450	[6525]	41 [90]	EDC, FNR, NFPE, AC, FDC	AC	B 2-bolt flange
H1P053	53.8	[3.28]			380	[5510]	400	[5800]				
Size 045/053 Tandem Pumps			Technical Information, Danfoss Order Number				11063345	-				
H1P045	45.0	[2.75]	3400	3500	420	[6090]	450	[6525]	65 [143]	EDC, FNR, NFPE	-	B 2-bolt flange
H1P053	53.8	[3.28]			380	[5510]	400	[5800]				
Size 060/068 Single Pumps			Technical Information, Danfoss Order Number				11071685	L1223856				
H1P060	60.4	[3.69]	3500	4000	420	[6090]	450	[6525]	50 [110]	EDC, FNR NFPE, AC, FDC	AC	C 4-bolt flange
H1P068	68.0	[4.15]			420	[6090]	400	[5800]				
Size 069/078 Single Pumps			Technical Information, Danfoss Order Number				11062169	L1223856				
H1P069	69.2	[4.22]	3500	4000	450	[6525]	480	[6960]	56 [123]	EDC, FNR, NFPE, AC, FDC	AC	C 4-bolt flange
H1P078	78.1	[4.77]			450	[6525]	480	[6960]				
Size 089/100 Single Pumps			Technical Information, Danfoss Order Number				11069970	L1223856				
H1P089	89.2	[5.44]	3300	3800	450	[6525]	480	[6960]	62 [137]	EDC, FNR, NFPE, AC, FDC	AC	C 4-bolt flange
H1P100	101.7	[6.21]			450	[6525]	480	[6960]				
Size 115/130 Single Pumps			Technical Information, Danfoss Order Number				11063346	L1223856				
H1P115	115.2	[7.03]	3200	3400	450	[6525]	480	[6960]	83 [187]	EDC, FNR, NFPE, AC, FDC	AC	D 4-bolt flange
H1P130	130.0	[7.93]			450	[6525]	480	[6960]				
Size 147/165 Single Pumps			Technical Information, Danfoss Order Number				11063347	-				
H1P147	147.2	[8.98]	3000	3100	450	[6525]	480	[6960]	96 [211]	EDC, FDC	-	D 4-bolt flange
H1P165	165.1	[10.08]			450	[6525]	480	[6960]				
Size 210/250 Single Pumps			Technical Information, Danfoss Order Number				L1208737					
H1P210	211.5	[12.91]	2600	2800	450	[6525]	480	[6960]	163 [360]	EDC	-	E 4-bolt flange
H1P250	251.7	[15.36]			450	[6525]	480	[6960]				

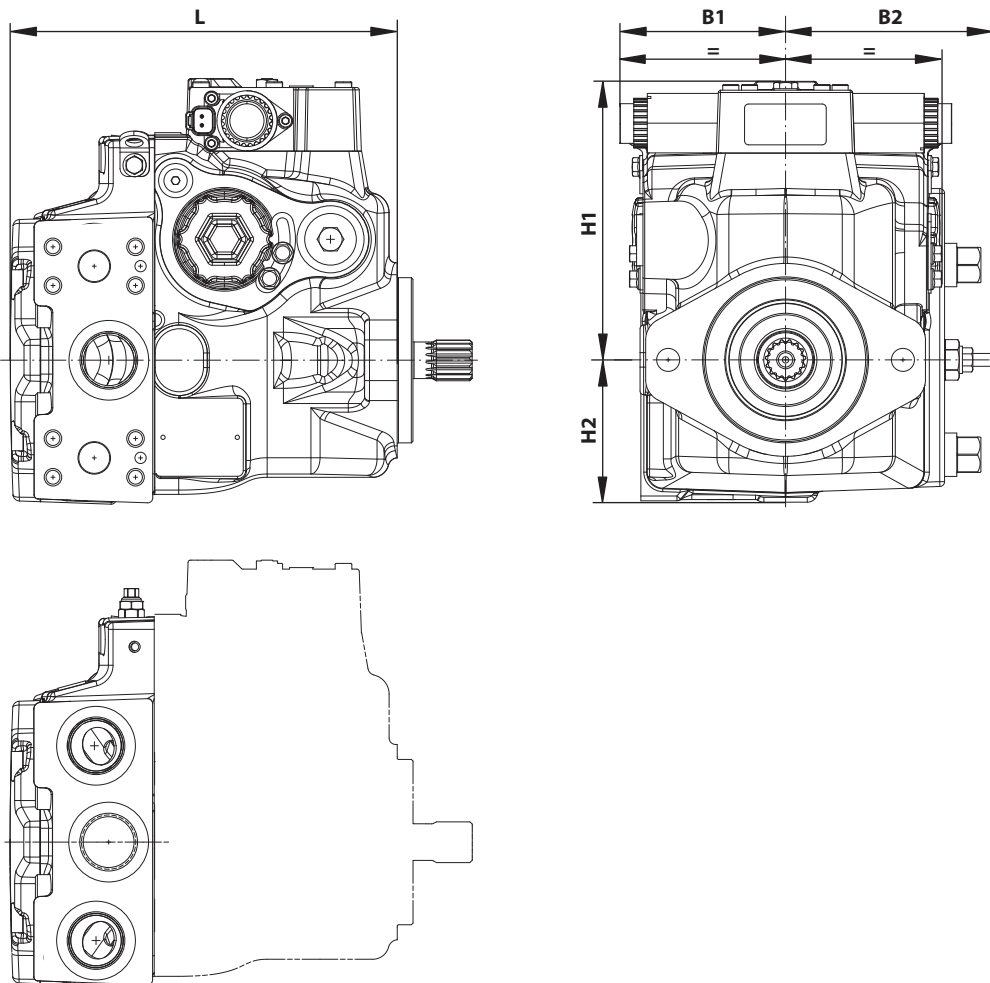
* Applied pressures above maximum working pressure requires Danfoss application approval.

T301 060E

Dimensions

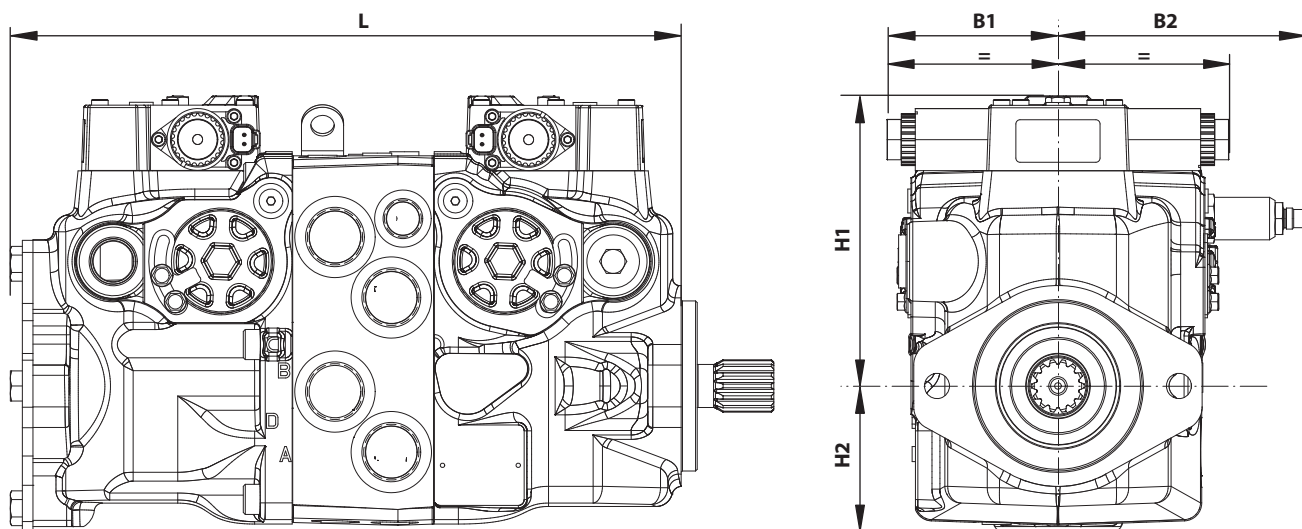
Size 045/053 Single

mm



P301 270E

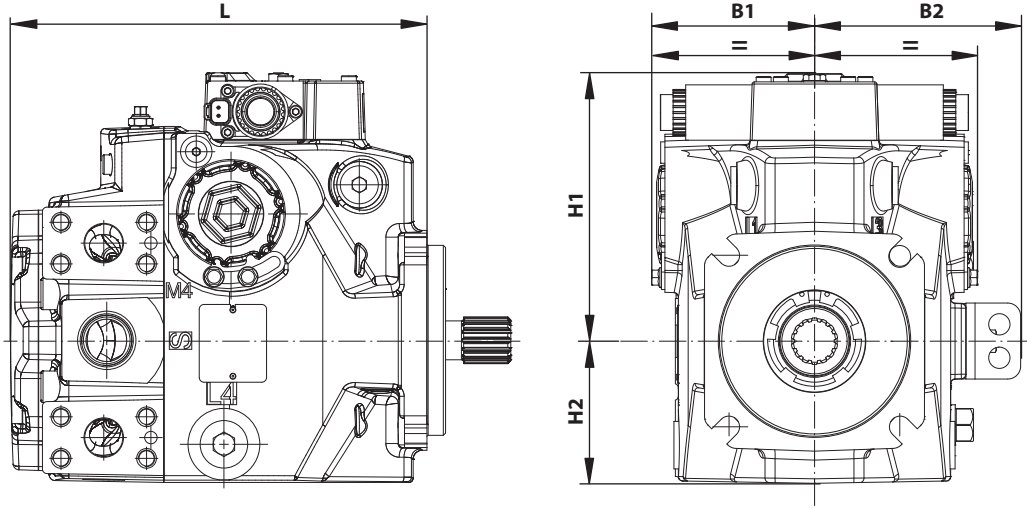
Size 045/053 Tandem



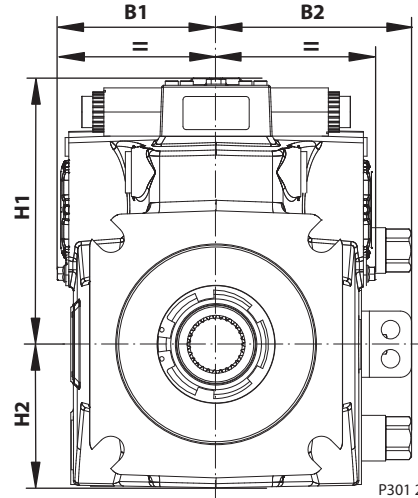
P301 271

Dimensions
Size 060/068, 069/078, 089/100, 147/165 & 210/250

mm



P301 272E

Size 115/130


P301 273E

- High Pressure Port only available as Twin-Port.
- EDC, FNR, NFPE control shown
- For Automotive Control (AC) literature see Technical Information shown on the front page
- SAE-PTO not shown but available, for details see Technical Information shown on the front page

Size	L	B1	B2	H1	H2
045/053 Single	238.2	104.5	131.2	176.0	89.5
045/053 Tandem	406.0	104.5	157.7	176.0	88.5
060/068	255.9	106.4	135.5	173.9	99.4
069/078	278.3	108.9	138.2	178.9	95.0
089/100	295.3	112.4	139.2	187.3	99.0
115/130	316.9	121.9	148.1	204.3	110.0
147/165	333.3	131.9	152.6	208.3	112.0
210/250	418.9	155.0	172.2	245.0	136.0

Danfoss Power Solutions US Company
 2800 East 13th Street
 Ames, IA 50010, USA
 Phone: +1 515 239 6000

Danfoss Power Solutions GmbH & Co. OHG
 Krokamp 35
 D-24539 Neumünster, Germany
 Phone: +49 4321 871 0

Danfoss Power Solutions ApS
 Nordborgvej 81
 DK-6430 Nordborg, Denmark
 Phone: +45 7488 2222

Danfoss Power Solutions
 22F, Block C, Yishan Rd
 Shanghai 200233, China
 Phone: +86 21 3418 5200

Danfoss can accept no responsibility for possible errors in catalogues, brochures and other printed material. Danfoss reserves the right to alter its products without notice. This also applies to products already on order provided that such alterations can be made without consequential changes being necessary in specifications already agreed. All trademarks in this material are property of the respective companies. Danfoss and the Danfoss logotype are trademarks of Danfoss A/S. All rights reserved.